



Shower Range

2011



We know you enjoy showering...

At Redring we know there's nothing better than a refreshing shower.

So why not revitalise your mind, body and soul with one of our exhilarating showers?

Our stylish range has been designed to compliment your lifestyle.

Designer Showering

If you want to stay ahead in the style stakes, the Designer range is for you. With chrome styling, chic designs and the latest features you can't get any better.

Family Showering

When it comes to showering for all the family, look no further than our Family range. Smart modern looks, great performance and reassuring safety features make this range the perfect choice for the family bathroom.

Day to Day Showering

For get up and go showering, it's difficult to beat our Day to Day range. Combining performance, ergonomic lines and outstanding value, the range offers effective efficient showering.

Care Showering

Our care range has been developed to make showering easier for the elderly, less able and partially sighted.

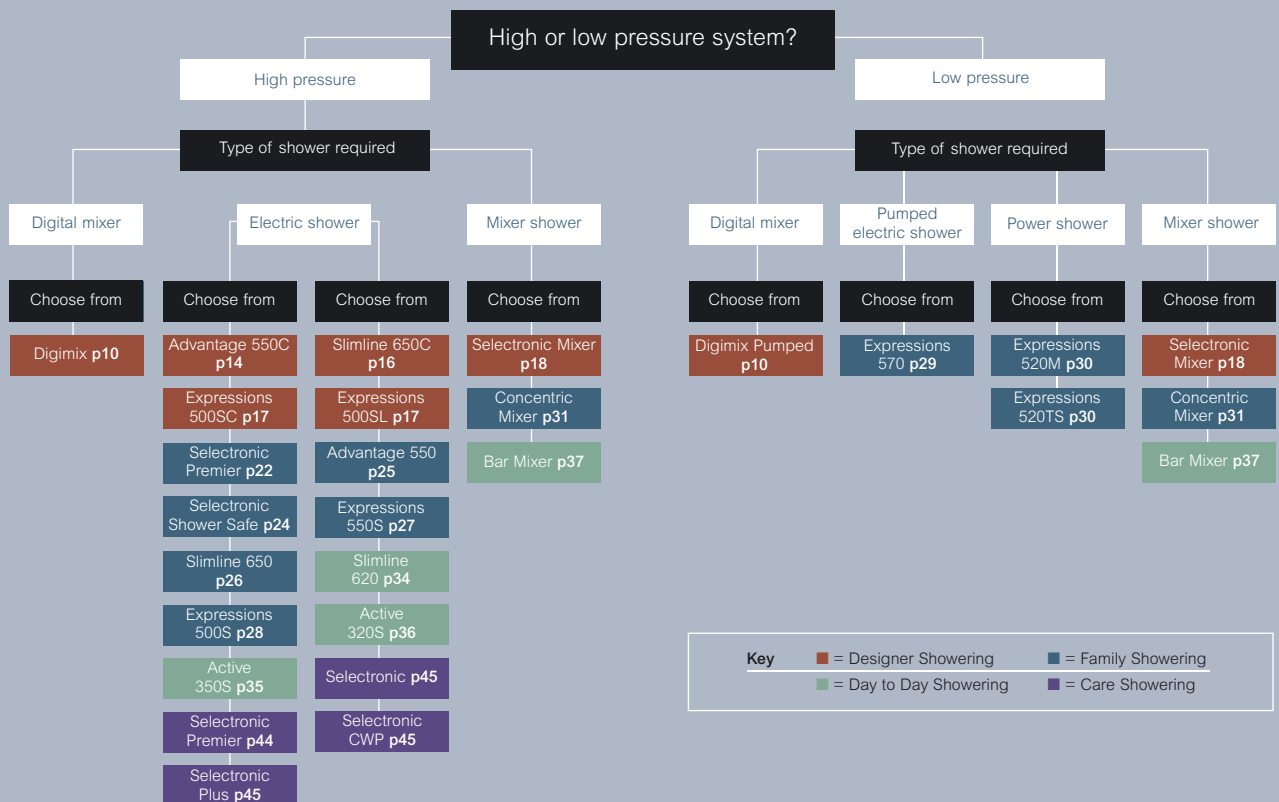
Our showers at a glance

Designer Showering	8
Digimix	10
Advantage 550C	14
Slimline 650C	16
Expressions 500SC & 500SL	17
Selectronic Mixer	18
Family Showering	20
Selectronic Premier	22
Selectronic Shower Safe	24
Advantage 550	25
Slimline 650	26
Expressions 550S	27
Expressions 500S	28
Expressions 570 - Pumped	29
Expressions 520 - Power	30
Concentric Mixer	31
Day to Day Showering	32
Slimline 620	34
Active 350S	35
Active 320S	36
Bar Mixer	37
Accessories	38
Care Showering	40
Selectronic Premier Range	44
Selectronic	45
Selectronic Plus	45
Selectronic Pump Pack	45
Specification & Technical Information	46



Choose a shower for your system...

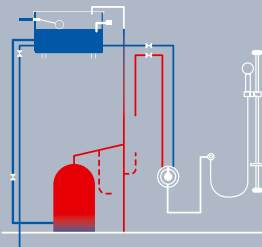
We realise that selecting the right shower for your lifestyle isn't always easy, so at Redring we've tried to make things as simple as possible. Just follow the selector below to find the shower best suited to your lifestyle needs and plumbing system. If you are in any doubt, why not give our customer care team a call on 0844 372 7766.



Plumbing systems explained...

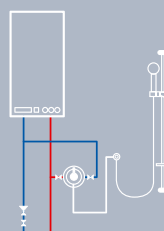
Gravity system (low pressure)

A cold water tank usually located in the roof space, and a hot water cylinder, frequently in the airing cupboard.



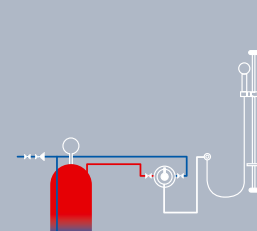
Combination boiler (high pressure)

These systems heat your water as it is used. There is no requirement for water to be stored in a cylinder.



Mains fed system (high pressure)

(Unvented hot water system) A high-pressure cylinder of water, heated by a boiler or immersion heater, usually providing high volumes of water.



Deciding on your shower type...

Digital Thermostatic Mixers

Take showering to a new level with a digital mixer shower from Redring. By utilising the latest wire-free technology, a portable handheld remote controls a separate thermostatic mixer unit that blends cold and hot water to your desired temperature and flow. The base unit can be installed up to 10 metres from the remote, either in a ceiling, cupboard or under the bath, which makes installation both easy and flexible.

Thermostatic Mixers

Thermostatic mixers take and blend water from both your hot and cold water supply - ideal for homes with readily available hot water. Thermostatic control ensures that there are only ever minor fluctuations in temperature from your chosen setting, even when other taps are used in your home.

Electric

Electric showers take cold water from the mains water supply. When you turn on the shower, water is passed over a heating element to deliver a shower at your preferred flow rate and temperature.

What effect does the kW rating have on my electric shower?




Electric showers only take water from your mains cold water supply and heat this water by passing it over electrically heated elements.

The temperature of the water you get from your shower and the flow rate is therefore determined by three key factors:

- 1 the temperature of your mains cold water supply (this can typically vary from 5°C in winter to 20°C in summer)
- 2 the heating capacity of your element in kW
- 3 the pressure of your mains water supply

In simple terms, the higher the kW rating, the better the potential water flow rate from your shower at your preferred showering temperature.

As a guide you can see below how the kW rating affects your shower flow:

-  up to 18% more flow than a 7.2kW shower
-  up to 32% more flow than a 7.2kW shower
-  up to 46% more flow than a 7.2kW shower

Shower icons explained...



Spray pattern icons
Indicates the number of spray patterns available from your chosen model's showerhead.



Guarantee icons
Indicates if your chosen shower is guaranteed for one, two or three years.



kW icons
Shows the available power output options of your chosen shower; with 7.2, 8.5, 9.5, 10.5 and 10.8kW options available.

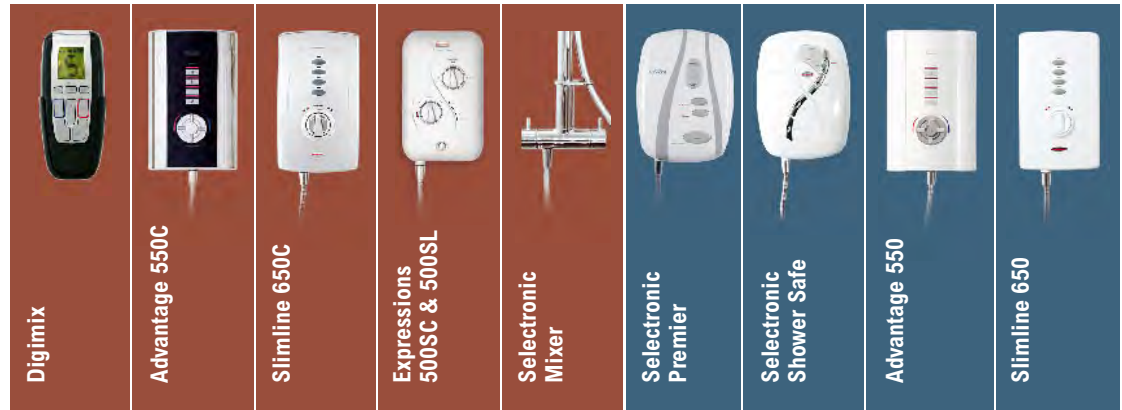


Thermo icon
The 'thermo' icon indicates that your chosen shower is fully thermostatic for extra safety.

Water Care

Water is one of nature's most precious resources, which is why at Redring we focus on efficient use of water. Our showers are designed to deliver the best experience while using the least amount of water and energy. Our advanced Digimix shower also has an innovative shutdown system that allows you to turn off the shower whilst you shampoo your body or hair, and then back on without any loss of temperature. By effectively pausing your shower in this way, it is not only convenient for you but also saves a significant amount of water.

Choosing your perfect shower



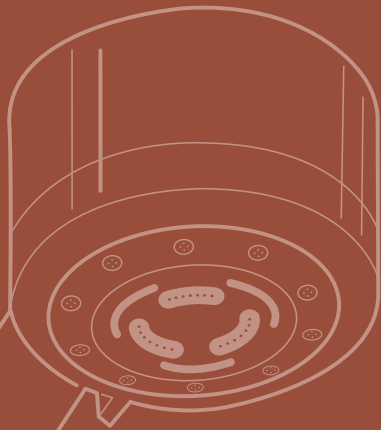
	Digimix	Advantage 550C	Slimline 650C	Expressions 500SC & 500SL	Selectronic Mixer	Selectronic Premier	Selectronic Shower Safe	Advantage 550	Slimline 650
Lifestyle	Designer	Designer	Designer	Designer	Designer	Family	Family	Family	Family
Shower type	Digital Mixer	Electric	Electric	Electric	Mixer	Electric	Electric	Electric	Electric
Guarantee*	3	2	2	2	2	3	3	2	2
Page Number	10	14	16	17	18	22	24	25	26
kW rating									
7.2kW	-	-	-	-	-	-	-	-	-
8.5kW	-	●	●	●	-	●	●	●	●
9.5kW	-	●	●	●	-	●	●	●	●
10.5kW	-	-	-	-	-	-	-	-	●
10.8kW	-	-	-	-	-	●	●	-	-
Shower finish and profile									
White	-	-	-	-	-	●	●	●	●
Black	●	●	-	-	-	-	-	-	-
Chrome/Silver	-	●	●	●	●	-	-	-	-
Ultra slimline profile (under 70mm)	-	-	-	●	-	-	-	-	-
Standard profile (over 70mm)	-	●	-	●	-	●	●	●	-
Control options									
Wireless remote control	●	-	-	-	-	-	-	-	-
Push button power selection	●	●	●	-	-	●	●	●	●
Push button temperature selection	●	-	-	-	-	●	●	-	-

Key ● Optional ● Standard - Not available

▲ There are four optional accessory kits available for the Digimix digital mixer shower - see page 13 for details

* Conditions apply





Designer Showering

The designer shower range is our flagship range.

This highly modern range of contemporary mixer and electric showers includes the latest in digital mixer technology, the wireless Digimix shower, which is controlled by a remote control handset.

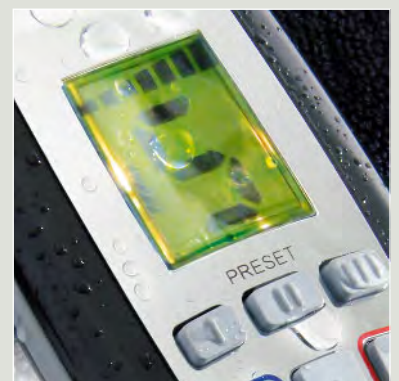
The range builds on the philosophy that good design is about both form and function. Redring leads the way through technological innovation and stylish design, allowing you to style or refresh your bathroom in your own unique way.

Digimix is our new generation of showering technology

Sleek and sophisticated, the wireless digital remote control is the perfect partner for modern living.

The easy to use waterproof handset wirelessly controls a remotely sited mixing unit, which blends hot and cold water accurately and even lets you know when it's time to jump in!

- Standard and pumped product options are available, providing a solution for both low and high pressure systems.
- Choose from four striking accessory kits.
- Fed up with having to change the temperature to your desired setting each time you get in the shower? With three pre-set temperature buttons just set and forget!
- Don't stand waiting for your shower to warm up - take your remote control with you so that you can turn on the shower without even going to the bathroom.



3 yr
GUARANTEE

THERMO

BEAB
Approved *

*Pumped unit only



Digimix is shown with the optional Portia accessory kit - see page 13 for details.

Understanding the Digimix shower...

The new Digimix shower from Redring is our most advanced designer shower. With intelligent user features and versatile installation options, the Digimix shower will fit perfectly into your bathroom.

So how does it work? The system is comprised of two elements; a compact thermostatic base unit and a wireless remote control.

The compact base unit takes your hot and cold water supplies and thermostatically mixes them to your desired temperature and flow rate - all under the command of the stylish wireless remote control handset.

This wire-free technology means that the base unit can be placed almost anywhere and within 10m of the remote control handset. This siting flexibility makes installation as simple as possible - enhanced through a choice of four accessory kits.

Wireless remote control

The battery operated remote control can be used from almost anywhere in your home, but it comes complete with a neat wall mounted docking station to keep it out of the way in your shower.

Three programmable memory buttons - one for you, the remainder for other users - enable you, for example to start your shower from the bedroom at your preferred temperature and flow rate. The remote control will then signal when your shower is at the right temperature for you to step in.

The remote control offers 11 temperature and 7 flow rate settings, all under advanced thermostatic control to keep the temperature constant even if other appliances or taps are running in your home.



Innovative water care

The advanced Digimix shower has been designed around the efficient use of water by incorporating some clever water saving features.

Innovative shutdown system

An innovative shutdown system allows you to turn off the shower whilst you shampoo your body or hair, and then back on without any loss of temperature. By effectively pausing your shower in this way, it is not only convenient for you but also saves water.

Programmable timer

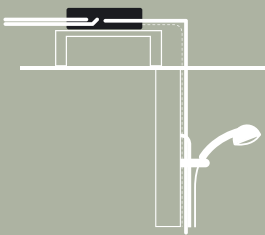
There is a user settable timer that can be set on installation to automatically turn the shower off after your chosen time, either 10 or 20 mins.



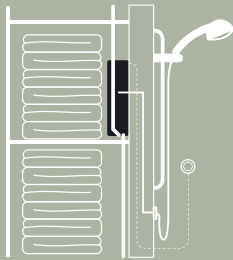
Flexible base unit siting

There are two types of Digimix thermostatic base unit available depending on whether your water system is high or low pressure: un-pumped and pumped. The pumped version contains a booster pump integrated into the base unit to ensure you get a powerful shower regardless of the pressure from your gravity fed water system.

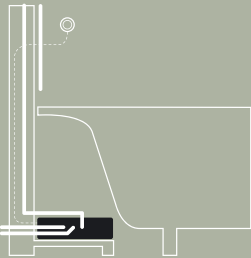
Both base units utilise wire-free technology which allows for flexible and easy installation. The unit can be fitted vertically or horizontally in a variety of locations, including in the loft, in a cupboard or even under the bath.



Loft installation



Airing or bathroom cupboard installation



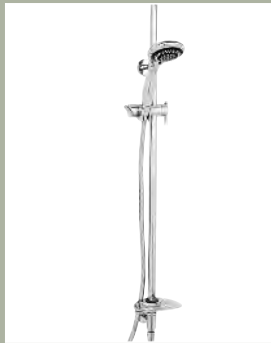
Under the bath installation

Four accessory set options

The Digimix shower can be combined with one of four stylish accessory kits, each specially selected for stylish design and optimum performance. No matter what your installation requirements or design preferences, we have an accessory set to match your needs.



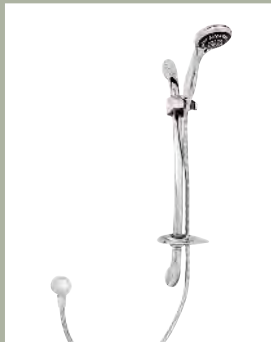
Portia - A stunningly designed accessory set with a diverter control that enables you to switch between an overhead rain shower and a multi-mode handset - perfect for those times you don't want to get your hair wet.



Cordelia - A sleek and sophisticated through the ceiling accessory set with a height adjustable multi-mode handset for an invigorating shower.



Emilia - A stylish fixed shower head that attaches through the ceiling and provides the perfect rain shower experience.



Ophelia - A contemporary designed accessory set with a beautifully curved riser rail and multi-mode handset.



Designed around **YOU**, the stylish Advantage 550C is an **electric shower** that makes a statement

A combination of black and chrome chic creates the ultimate designer look. The minimal styling of the advanced 'soft-touch' LED push button controls finishes this shower perfectly.

■ With a specially designed multi-entry platform, the Advantage 550C is a perfect replacement shower.

■ Convenient 'set and forget' showering via four 'soft-touch' push buttons for on/off and power selection, combined with separate temperature control.



Designer Showering

Slimline 650C



The stylish Slimline 650C's simple and compact design offers effective efficient showering.

With a luxurious all chrome metal finish on the shower and accessory kit, the 650C is the perfect partner for modern living.

Take advantage of convenient 'set and forget' showering via four 'soft-touch' push buttons for on/off and power selection, combined with separate temperature control.



Designer Showering

Expressions 500SC & 500SL



Our best selling shower range is now available in either a stylish chrome or silver finish to perfectly match your lifestyle.

This new style doesn't come at the cost of functionality, as we have kept all the great features of the Expressions 500S.

Main image shown is the Expressions 500SL in silver.



Also available in chrome (500SC)

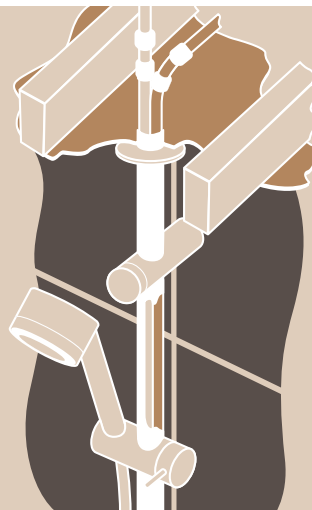


The Selectronic Mixer is a stylish and contemporary take on the traditional mixer shower

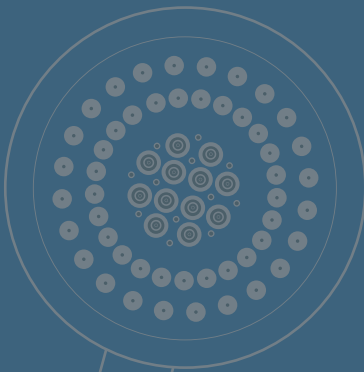
A clever patented through the ceiling installation system means you can have the perfect stylish mixer shower in no time at all.

Based on advanced thermostatic technology, the Selectronic Mixer will ensure water temperature stays constant - even when water is being used elsewhere in the house.

- The innovative, patented through the ceiling installation system means your hot and cold water supplies are connected to the top of the unit in your loft space and then carried down the centre of the riser rail to the mixer valve.
- The Selectronic Mixer is suitable for virtually all types of plumbing system.







Family Showering

Whether it's revival at the end of a busy day or a wake up call in the morning, our family range concentrates on safety, style and simplicity.

With mixers, electric, pumped and power shower variants, the family range has a wide variety of choice.

The stylish and easy-to-use designs are built around Redring's tried and trusted technologies, offering the very best showering performance. So whether you have a traditional home or a modern apartment, the family range has a shower to suit you.

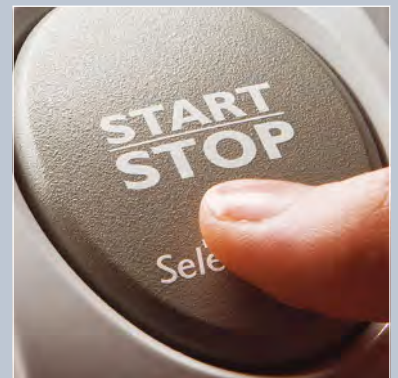
Look out for showers such as the Selectronic Shower Safe that benefit from our sophisticated thermostatic temperature control which offers reassuring safety features as standard.



The Selectronic Premier range of thermostatic showers are the very epitome of **control,** **performance** and **safety**

With unique microprocessor control technology and an array of advanced features, the Selectronic Premier represents the very latest in family showering innovation. Stylish and good looking, the range is available in three different versions, including one with a user friendly wireless remote control.

- Eco Water-Save and Eco Power-Save features automatically adjusts the water flow rate and power of the shower to save water and energy.
- Temperature 'lock mode' technology eliminates accidental increases in temperature by the user.
- Can be pre-programmed to provide hot water at the same flow rate and temperature every time you switch the shower on.
- Optional wireless remote control for style and convenience.



Family Showering

Selectronic Shower Safe



Perfect for all the family, the Selectronic Shower Safe is one of the safest showers on the market.

With stunning styling, the Selectronic Shower Safe offers precise microprocessor thermostatic control with an LED display and complete push button control.

6 8.5 kW 9.5 kW 10.8 kW 3 yr GUARANTEE THERMO

Family Showering Advantage 550



For a contemporary styled family shower, look no further than the Advantage 550 in white.

Take advantage of convenient 'set and forget' showering via four 'soft-touch' push buttons for on/off and power selection, combined with separate temperature control.



Family Showering

Slimline 650



With a slimline profile and push button controls, the Slimline 650's stunning good looks will fit perfectly into your bathroom.

- 3
- 8.5 KW
- 9.5 KW
- 10.5 KW
- 2 YEAR GUARANTEE

Please note: Handset in picture no longer available.

Family Showering Expressions 550S



With its contemporary curved fascia styling and chrome details, the Expressions 550S will look good in any bathroom.

With easy to use LED push button and rotary controls, it is perfect for all the family.



Family Showering

Expressions 500S



Our best selling shower is ideal for all the family, built on a foundation of design, performance and reliability.

The Expressions 500S features a large, easy to use start/stop button combined with rotary controls so you can always leave the shower at your preferred settings.



Family Showering Expressions 570 - Pumped



Get all the performance benefits of an electric shower even when your water pressure is low.

The Expressions 570 has been specially designed for use with gravity-fed systems by using a booster pump to deliver consistent shower flow at your choice of temperature.



Family Showering

Expressions 520 - Power Showers



If you're looking for an invigorating shower experience, it's difficult to beat the Expressions 520.

Delivering power shower performance, the Expressions 520 is an ergonomically designed all-in-one mixer shower with integral booster pump - the perfect choice if space for a separate shower pump is limited. And to make showering even safer, a thermostatic model is also available.



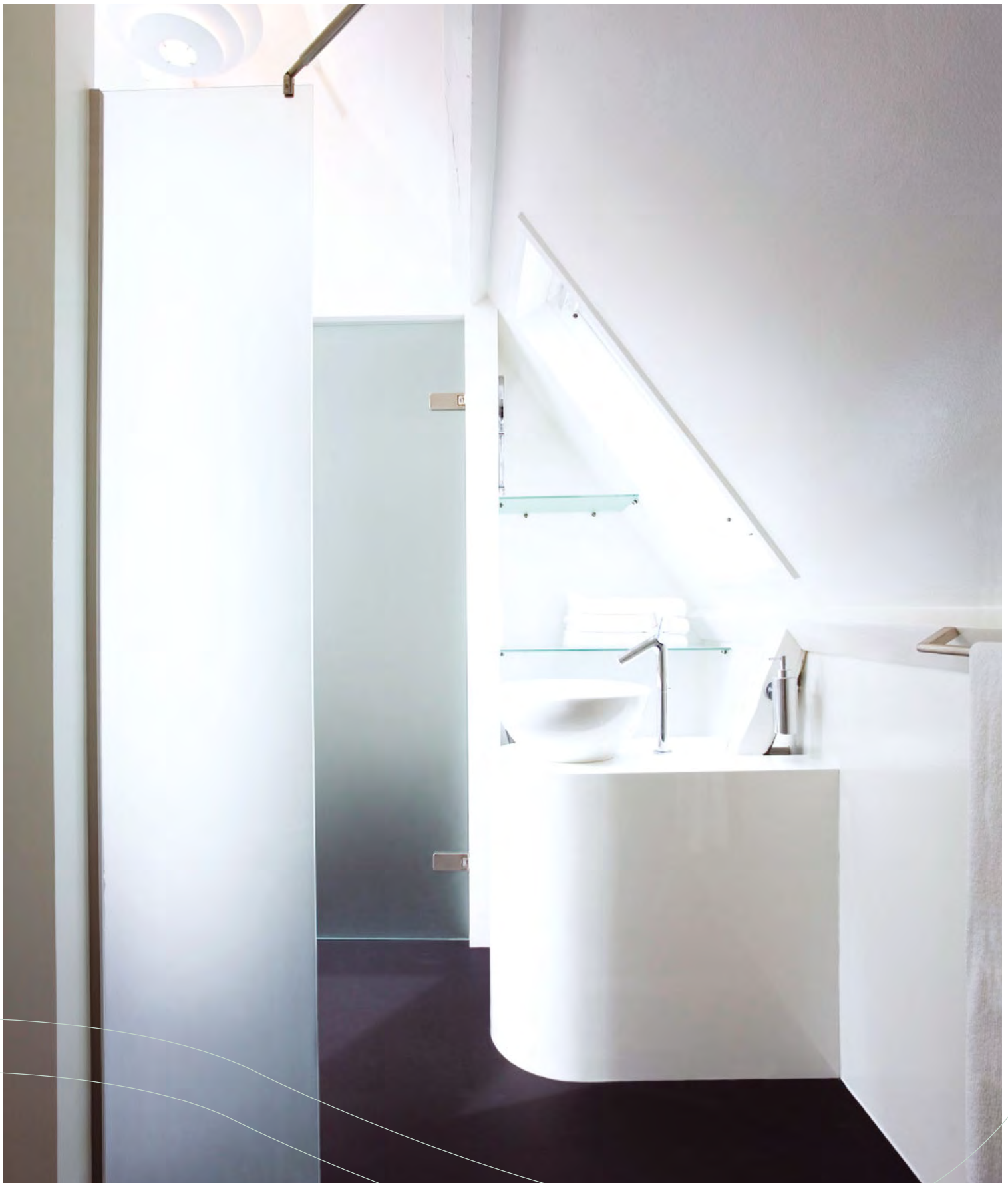
*Please note: The thermostatic model is the 520TS. A manual model is also available called the 520M. Please note: Handset in picture no longer available.

Family Showering Concentric Mixer



Family showering at its friendliest, this Concentric Mixer was designed to look good but deliver safe thermostatic temperature control.







Day to Day Showering

When it comes to value and style, our 'day to day' range is renowned for reliability and good looks.

Built on a foundation of affordable design and performance, the 'day to day' range offers an outstanding choice of styles and features to suit your budget.

So when it comes to choosing your next electric or mixer shower, look no further than the 'day to day' range for quality and reliability at an attractive price.

Day to Day Showering

Slimline 620



Small space? The Slimline 620 is perfect for the smallest of shower cubicles with its ultra slim profile.

Plus the added benefit of an easy to use on/off button combined with rotary controls so you can always leave the shower at your preferred setting.

 3	 8.5 kW	 9.5 kW	 2 yr GUARANTEE
---	---	---	---

Please note: Handset in picture no longer available.

Day to Day Showering

Active 350S



A simple to use and affordable electric shower with separate flow and temperature controls so you can get the shower experience you want.



Day to Day Showering

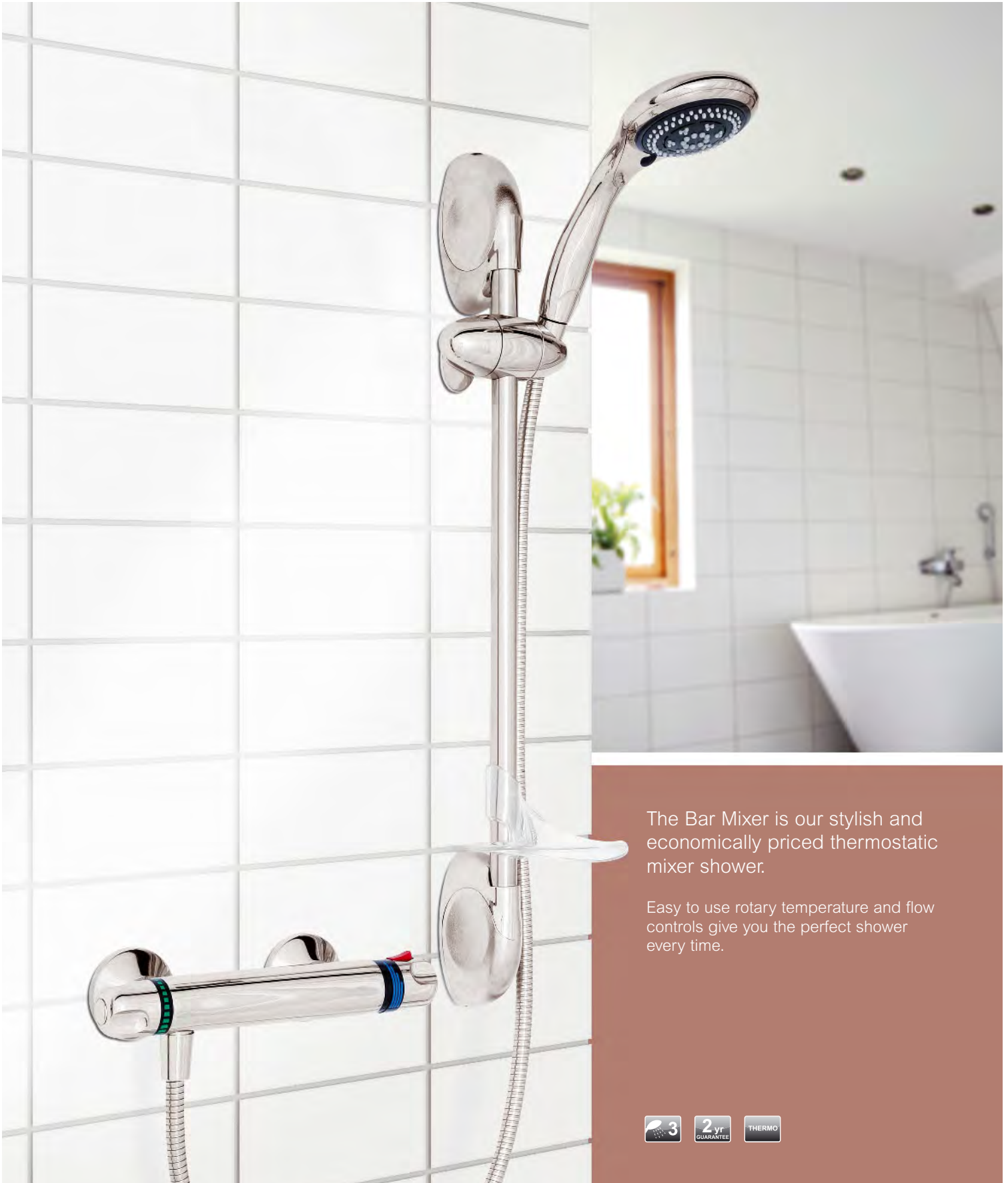
Active 320S



The Active 320 may be our entry level shower, but is still packed with great features and style.



Day to Day Showering Bar Mixer



The Bar Mixer is our stylish and economically priced thermostatic mixer shower.

Easy to use rotary temperature and flow controls give you the perfect shower every time.



Matching accessories

Our accessory ranges combine three essential elements - advanced technology, first-class materials and perfect design.

From the contemporary to the functional, our optional accessory kits allow you to create the right ambiance in your bathroom and enjoy your showering experience every time.

Spray patterns...

Our accessory kits may have up to six spray patterns. Designed to deliver a unique range of sensations, these spray patterns allow each user to vary their showering experience to suit their mood and include:



Bubble spray

Our bubble spray pattern provides a more soothing showering experience.



Jet spray

When it comes to waking up or targeting sore muscles, the jet spray pattern will deliver a concentrated and powerful jet of water.



Rain spray

Designed to simulate the gentle pattern of rain, our rain spray pattern lightly covers you in a shower of water to help you relax.



Mix spray

By combining different elements of the bubble, jet and rain patterns, the mix spray can help you relax, unwind and wake up all in one shower.

Electric shower accessory kits

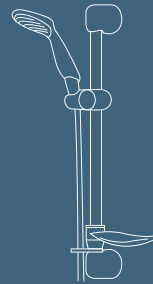
Suitable for all installations



Helena - Designer all chrome (ACCPKE)

Our 'flagship' all chrome accessory set with a designer curved riser rail and 6-mode rub-clean handset for the ultimate showering choice.

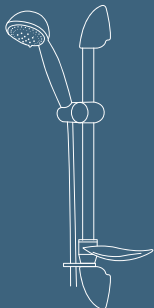
For an installed photograph please see the Selectronic Shower Safe on page 24.



Maria - Economy all chrome (ACCPKB)

Entry level all chrome accessory set with a single-mode rub-clean handset.

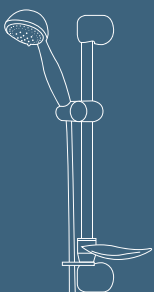
For an installed photograph please see the Active 320S on page 36.



Jessica - Performance all chrome (ACCPKD)

A stylish all chrome accessory set with a 6-mode rub-clean handset for showering that always matches your mood.

For an installed photograph please see the Advantage 550C on page 14.



Isobella - Style all chrome (ACCPKC)

A great looking all chrome accessory set with a 3-mode rub-clean handset.

For an installed photograph please see the Active 350S on page 35.



Digimix digital mixer accessory kits

The Digimix shower can be combined with one of four striking accessory kits. See page 13 for details of the range.





“the Selectronic range is ideal for all families and the perfect choice for healthcare”

Care Showering

At Redring we care about showering, so it should come as no surprise that when it comes to developing shower ranges for use by the elderly, less able or partially sighted, we are the market leader.

Our 'care' range is built around the two award winning electric showers, the **Selectronic** and the new **Selectronic Premier**, with both ranges being available in 8.5, 9.5 and 10.8kW variants. The range has been designed with safety and convenience in mind, and the new Selectronic Premier represents one of the most advanced thermostatic electric showers on the market today.

The Selectronic Range

The original Selectronic gained the Highly Commended Product Development award at the Royal National Institute of the Blind (RNIB) Simply the Best Awards.

The Selectronic was the first shower to achieve the stringent new safety standards required for care establishments and less able users. With its patented technology and advanced thermostatic safety features, the Selectronic is also endorsed by the RNIB, making it the preferred choice for the partially sighted, young children, elderly and less able.

The new Selectronic Premier Range

Building on all the great features and accreditations of the Selectronic, the new Selectronic Premier is an evolution in technology and design. There's the unique user-friendly remote control and safety temperature lock, plus the shower unit itself features a large one touch, easy to press button operation with tactile button coding. New 'Eco' features allow the Selectronic Premier to save water and electricity automatically.

Safety Accreditations...

Both the Selectronic and Selectronic Premier give you absolute piece of mind as many independent organisations and endorsing bodies have recognised the superb reliability, performance and safety of the range.

The RNIB logo consists of the letters 'RNIB' in white, bold, sans-serif font, centered within a dark teal rounded rectangular background.

RNIB Inclusive Design Approved

The Selectronic range was originally designed in partnership with the RNIB for use by vulnerable members of the public and the visually impaired. Today, the Selectronic and Selectronic Premier are fully endorsed by the RNIB and have been classed as suitable for all sections of the community, or Inclusive Design Approved, following independent testing.

The BEAB CARE logo features the words 'BEAB' and 'CARE' stacked vertically in white, bold, sans-serif font, centered within a dark green rounded rectangular background.

BEAB Care

The BEAB CARE Mark has been developed in recognition of the additional performance requirements of certain products within the care industry. After an exacting special test schedule developed to measure specific performance issues relating to its application in the care sector, the Selectronic and Selectronic Premier showers were approved to carry the mark.

Disability Discrimination Act Compliance

The Disability Discrimination Act (DDA) aims to end the discrimination that many less able people face and the Selectronic shower range has been developed to meet and exceed the requirements of the act.

Key features...

- Protection against scalding with advanced microprocessor thermostatic operation
- Large, easy to use 'tactile' push button operation for all functions
- Large LED display and audible feedback system for the visually impaired
- One touch operation ideal for the less able provides hot water at a safe and constant temperature
- Audible feedback response to push button commands
- Automatic shutdown after 30 minutes of inactivity
- Safety temperature lock with override function allows the temperature to be capped at a specific temperature

Additional features of the new Selectronic Premier

- Stylish new design with a choice of white and chrome accessory kits
- Optional remote control for the added convenience of wireless on/off shower control that can be used within 10m of the shower
- Eco Water-Save feature that automatically calculates and adjusts the optimum flow rate
- Eco Water-Save meets the 'Sustainable Home' water consumption requirements per person for showering
- Eco Power-Save feature that automatically adjusts the power of the shower to achieve the selected water temperature



Care accessories

At Redring we're focussed on making showering easier for the elderly, less able and partially sighted. To this end, we have a number of care accessory options designed to make several of our standard Expressions and Active electric showers easier and safer to use.

Extended Control Lever

Ideal for people with arthritic hands, the extended control lever helps make temperature and power selection easier. The lever is interchangeable with the standard rotary selectors on both the Expressions 550S & 500S and the Active 350S & 320S ranges.

Complete Care Accessory Pack

The complete care pack replaces your shower's accessory kit with a specially designed kit that includes:

- A 1m extended riser rail that allows the shower head to be positioned for children or seated users
- An extended 2m easy clean hose which improves the manoeuvrability of the showerhead
- A multi-mode handset so that the spray pattern can be adjusted according to the users skin sensitivity

The Selectronic Premier Range...



The Selectronic Premier

Includes chrome effect 0.5 metre riser rail with fully adjustable handset holder and soap dish plus a 1.25 metre convoluted shower hose.

The Selectronic Premier Plus

Gives you everything the Selectronic Premier does, but with accessories for care applications i.e. colour coded shower head and clamp for visibility, chrome effect 1m riser rail with adjustable handset holder and soap dish and 2m convoluted shower hose, practical shower accessories for the elderly and less-able who prefer to be seated whilst showering.

The Selectronic Premier Plus Remote

Gives you everything the Selectronic Premier Plus does, but with the addition of a unique user-friendly, remote wireless on/off control.



The Selectronic Range...



The Selectronic

The 'Selectronic' is our entry level care shower with a standard 0.45m riser rail, multi-mode rub-clean handset and 1.25m convoluted hose.



*Please note: Handset in picture no longer available.



The Selectronic Plus

The 'Selectronic Plus' builds on the features of the standard Selectronic pack but adds a 1m riser rail and 2m easy clean smooth shower hose - making this the perfect choice for healthcare situations.



*Please note: Handset in picture no longer available.



Level access pump included in the pack.

The Selectronic Pump Pack

This is our specialist care sector solution that enables the Selectronic shower to control a level access pump to automatically drain residual shower waste from a shower tray. The all in one box package, comes complete with the 'Selectronic Plus' shower, electronic drain pump, plus all the accessories you need to get it set-up.



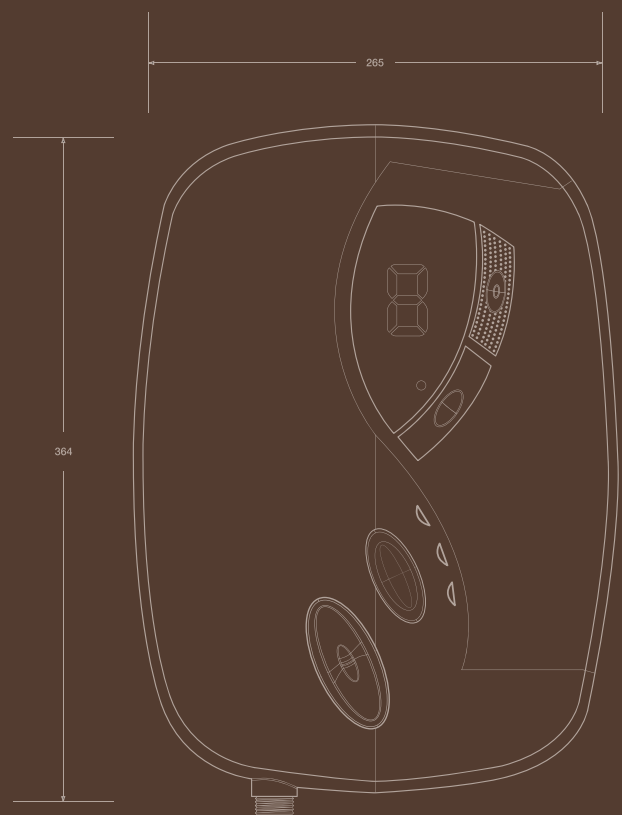
*Please note: Handset in picture no longer available.

Performance and Function

Each shower in the Redring range is supplied complete with detailed fitting instructions to take you or your installer through each stage of the installation process.

This technical section will help you identify which of our showers is best suited to your home and plumbing system, with full details on dimensions, specifications and installation options.

In the unlikely event that you have any technical questions, please call our dedicated support hotline on 0844 372 7766.



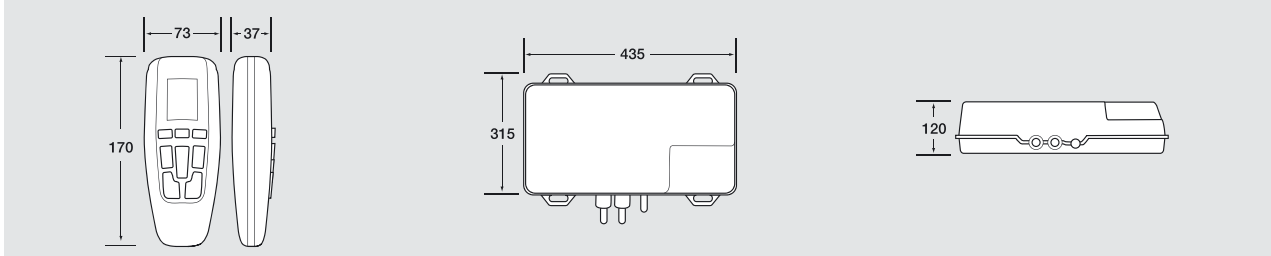
Our showers at a glance

Designer Showering	48
Digimix	48
Advantage 550C	49
Slimline 650C	50
Expressions 500SC & 500SL	50
Selectronic Mixer	51
Family Showering	52
Selectronic Premier	52
Selectronic Shower Safe	53
Advantage 550	53
Slimline 650	54
Expressions 550S	54
Expressions 500S	55
Expressions 570 - Pumped	55
Expressions 520TS & 520M - Power	56
Concentric Mixer	56
Day to Day Showering	57
Slimline 620	57
Active 350S	57
Active 320S	58
Bar Mixer	58
Redring Care Showering	59
Selectronic Premier	59
Selectronic Premier Plus	59
Selectronic Premier Plus Remote	59
Selectronic	60
Selectronic Plus	60
Selectronic Pump Pack	61

Specification & Technical Information

Digimix and Digimix Pumped -

High and Low Pressure RF Remote Controlled Thermostatic Digital Mixer Showers



*Pumped unit only

Digimix brings together the very latest in shower design, styling and performance. Fully thermostatic, this contemporary digital mixer shower provides the ultimate in convenience and control through a remote control which is used to adjust the flow and temperature and incorporates an LCD display. The remote control comes with programmable options that allow you to switch the shower on and prepare the perfect shower before you even set foot into the cubicle.

Key Features - Digimix

Suitable for most unvented plumbing systems | Remote siting of mixer - ease of installation | RF remote controlled | LCD digital temperature and flow readout | Programmable pre-set flow and temperature ensures next shower requires no adjustment | Favourite settings programmable | Adjustable automatic off function, ensures no waste water.

Safety Features

Thermostatic | Automatic shutdown if cold or hot water supply fails | Overheat protection | Maintains temperature to + or -1°C (in stable conditions) | Default on/off setting 40°C | Option to limit temperature adjustment | Battery level indicator.

Outer Casing

Remote control unit and cradle - High impact | Easy clean | Thermoplastic.

Accessories

4 chrome kits available - See page 12 and 13 for details.

Pressure

Operating pressure - 1bar to 5bar.

Approvals

CE.

Guarantee*

3 year product guarantee (UK). *Terms and conditions apply. Visit www.redring.co.uk for full details.

Technical Specification

Operating water pressure - 1bar min to 5bar max. | Water connection - 15mm plain shank tails, push fit or standard compression fittings | RF remote control handset range 10m | Colour coded inlet pipe - red and blue | Anti vibration mounting on mixer base unit | Mains supply 230/240V | Rating 50W @ 240V | Base supplied with 2m pre-wired cable | Fixing pack supplied | Remote control batteries included - 2 x AAA.

Key Features - Digimix Pumped

Suitable for gravity-fed plumbing systems | Remote siting of mixer - ease of installation | Integral pump included for power shower performance | RF remote controlled | LCD digital temperature and flow readout | Programmable pre-set flow and temperature ensures next shower requires no adjustment | Favourite settings programmable | Adjustable automatic off function, ensures no waste water.

Safety Features

Thermostatic | Automatic shutdown if cold or hot water supply fails | Overheat protection | Maintains temperature to + or -1°C (in stable conditions) | Default on/off setting 40°C | Option to limit temperature adjustment | Battery level indicator.

Outer Casing

Remote control unit and cradle - High impact | Easy clean | Thermoplastic.

Accessories

4 chrome kits available - See page 12 and 13 for details.

Pressure

Operating pressure - 0.15bar to 1bar (0.15bar = 1.5m).

Approvals

CE.

Guarantee*

3 year product guarantee (UK). *Terms and conditions apply. Visit www.redring.co.uk for full details.

Technical Specification

Operating water pressure - 0.15bar min to 1bar max (0.15bar = 1.5m) | Water connection - 15mm plain shank tails, push fit or standard compression fittings | RF remote control handset range 10m | Colour coded inlet pipe - red and blue | Anti-vibration mounting on mixer base unit | Mains supply 230/240V | Rating 200W @ 240V | Base supplied with 2m pre-wired cable | Fixing pack supplied | Remote control batteries included - 2 x AAA.

Product Reference	Short Code	Catalogue Number	Description
Digimix Non-Pumped	DMNP1	46677001	High Pressure RF Remote Controlled Thermostatic Digital Mixer Shower
Digital Mixer Digimix Pumped Digital Mixer	DMP1	46678001	Low Pressure RF Remote Controlled Thermostatic Digital Mixer Shower

Digimix Accessories



Portia - Accessory Kit

A stunningly designed accessory set with a diverter control that enables you to switch between an overhead rain shower and a multi-mode handset.



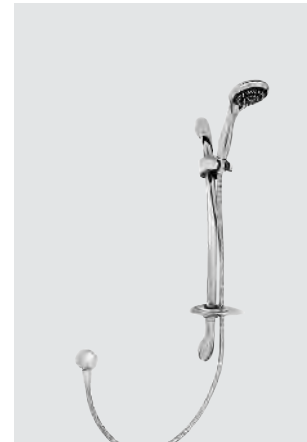
Cordelia - Accessory Kit

A sleek and sophisticated through the ceiling accessory set with a height adjustable multi-mode handset for an invigorating shower.



Emilia - Accessory Kit

A stylish fixed through the ceiling shower head that provides the perfect rain shower experience.

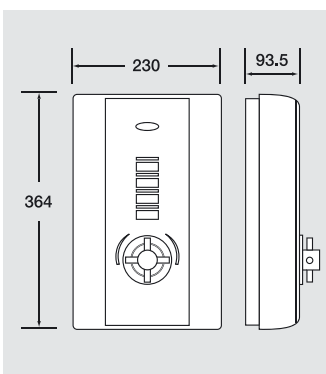


Ophelia - Accessory Kit

A contemporary designed accessory set with a beautifully curved riser rail and multi-mode handset.

Product Reference	Short Code	Catalogue Number
Portia Chrome Through-the-Wall Diverter with Dual Shower Head Kit	DMACC4	83671104
Cordelia Chrome Ext. Through-the-Ceiling Riser Rail and Shower Head Kit	DMACC3	83671103
Emilia Chrome Fixed Through-the-Ceiling Shower Head Kit	DMACC2	83671102
Ophelia Chrome Bulk-head Riser Rail and Shower Head Kit	DMACC1	83671101

Advantage 550C - Chrome Multi-service Entry Electric Showers



Ideal for shower replacement and upgrades, the Advantage 550C has been developed with the very latest instantaneous shower styling, mixing traditional and contemporary functionality. Designed to stabilise temperature changes caused by water pressure fluctuations, it comes with the convenience of a push button start/stop and power selection facility. Phased shutdown is a key feature, and ensures residual hot water is flushed out reducing scale and ensuring cool-start use.

Key Features

Six pipe, six cable entry configuration (left, right, top, bottom or rear) - for highly flexible installations or replacements | Push button power selection on/off control | 3 push button power settings (cold/economy/high) | LED power indicator | Independent rotary temperature control for set and forget convenience | Flush buttons for easy clean.

Safety Features

Fully temperature stabilised | Smart Time® phased shutdown - electronic flushing of residual hot water which reduces scale and ensures cool-start use | Phased shutdown flashing LED indicator | Overheat protection.

Outer Casing

Chrome and black front cover | High impact | Easy clean thermoplastic material.

Accessories

Chrome 6 mode rub-clean handset and full accessory kit: Soap dish | Hose with retaining ring | Riser rail | Adjustable clamp.

Pressure

Operating pressure - 0.7bar to 7bar.

Approvals

BEAB Approved | CE.

Guarantee*

2 year product guarantee (UK). *Terms and conditions apply. Visit www.redring.co.uk for full details.

Technical Specification

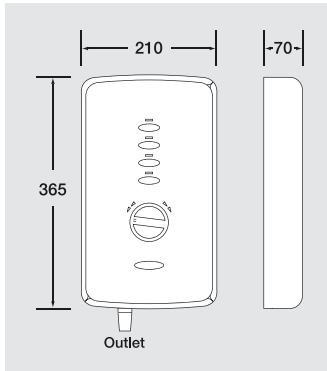
Left or right - Top, bottom or rear entries | Fittings included | Specification Operating water pressure - 0.7 to 7bar (10-100psi) | Water pressure operated power switch | Water connection - 15mm plain shank tails push fit or standard compression fittings | Removable lower section for ease of installation.



Product Reference	Short Code	Catalogue Number	Max Heat Setting (kW)	Loading @ 230-240V	Cable Size	Fuse Rating
Advantage 550 Chrome 8.5kW	ADV5508C	53674205	8.5	7.8 - 8.5	6 - 10mm ²	40 amps
Advantage 550 Chrome 9.5kW	ADV5509C	53676705	9.5	8.7 - 9.5	6 - 10mm ²	45 amps

Specification & Technical Information

Slimline 650C - Chrome Ultra Slim Push Button Electric Showers



The Slimline 650C has a contemporary chrome, ultra slimline profile, generating more space in a shower cubicle. It is fully temperature stabilised and has the added convenience of a push button on/off and power selection facility. The phased shutdown feature ensures that temperatures are managed to deliver a cool and safe start-up for the next user.

Key Features

Ultra slimline profile | Push button power selection and on/off | 3 power settings | Rotary flow/temperature control for set and forget convenience | LED power indication | Multi-service points for ease of installation.

Safety Features

Fully temperature stabilised | Overheat protection | Smart Time™ phased shutdown - electronic flushing of residual hot water which reduces scale and ensures cool-start use | Phased shutdown flashing LED indicator.

Outer Casing

Chrome front cover | High impact | Easy clean | Thermoplastic.

Accessories

Full set of all chrome accessories: Rub-clean, multi-mode handset | 3 position variable spray head | Soap dish | Hose with retaining ring | Riser rail | Adjustable clamp.

Pressure

Operating pressure - 1.0bar to 10bar.

Approvals

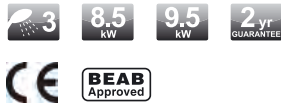
BEAB Approved | CE.

Guarantee*

2 year product guarantee (UK). *Terms and conditions apply. Visit www.redring.co.uk for full details.

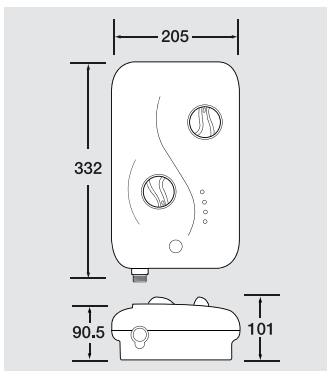
Technical Specification

Operating water pressure - 1 to 10bar (14.5-145psi) | Water pressure operated power switch | Water connection - 15mm plain shank tails push fit or standard compression fittings | Top, bottom or rear cable entry | Top, bottom or rear water entry.



Product Reference	Short Code	Catalogue Number	Max Heat Setting (kW)	Loading @ 230-240V	Cable Size	Fuse Rating
Slimline 650 Chrome 8.5kW	R6508C	53557202	8.5	7.8 - 8.5	6 - 10mm ²	40 amps
Slimline 650 Chrome 9.5kW	R6509C	53558202	9.5	8.7 - 9.5	6 - 10mm ²	45 amps

Expressions 500SC & 500SL - Chrome and Silver Smart Technology Electric Showers



The Expressions 500 Chrome and Silver have been developed with contemporary 'S-line' styling, smart technology and a convenient start/stop button, allowing the power and flow rate setting to remain set ready for your next shower.

Key Features

Separate rotary control for power selection | Push button stop/start, for 'set and forget' convenience | 3 power settings with 'Power On', 'Power Medium' and 'Power High' neon indicators | Top, bottom or rear entry access for cable and cold water supply | Removable corner section for ease of installation.

Safety Features

Fully temperature stabilised | Smart Time™ phased shutdown - electronic flushing of residual hot water which reduces scale and ensures cool-start use | Overheat neon indicator | Rotary flow/temperature control with numerical indicator window.

Outer Casing

Chrome (SC)/Silver (SL) | High impact | Easy clean | Scratch resistant | Thermoplastic.

Accessories

Chrome 6 mode rub-clean handset and full accessory kit: Soap dish | Hose with retaining ring | Riser rail | Adjustable clamp.

Pressure

Operating pressure - 0.7bar to 7bar.

Approvals

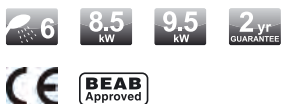
BEAB Approved | CE.

Guarantee*

2 year product guarantee (UK). *Terms and conditions apply. Visit www.redring.co.uk for full details.

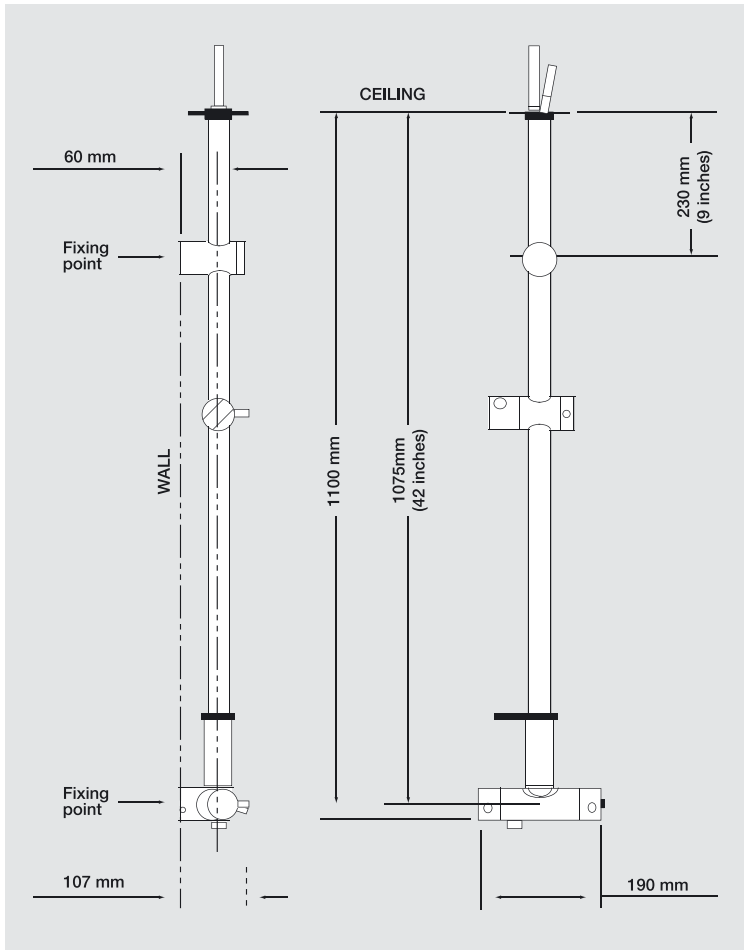
Technical Specification

Operating water pressure - 0.7 to 7bar (10-100psi) | Water pressure operated power switch | Standard 15mm inlet connection | Top, bottom or rear cable entry options | Fixing pack and instructions supplied | Removable corner section for ease of installation.



Product Reference	Short Code	Catalogue Number	Max Heat Setting (kW)	Loading @ 230-240V	Cable Size	Fuse Rating
Expressions 500S Chrome 8.5	EX5008SC	53673005	8.5	7.8 - 8.5	6 - 10mm ²	40 amps
Expressions 500S Chrome 9.5	EX5009SC	53673505	9.5	8.7 - 9.5	6 - 10mm ²	45 amps
Expressions 500S Silver 8.5	EX5008SL	53673006	8.5	7.8 - 8.5	6 - 10mm ²	40 amps
Expressions 500S Silver 9.5	EX5009SL	53673506	9.5	8.7 - 9.5	6 - 10mm ²	45 amps

Selectronic Mixer - TMV3 Thermostatic Mixer Shower



Ideal for retrofit or brand new installations, the Selectronic Mixer, a TMV3 thermostatic shower features sleek design, including a patented 'through the ceiling' water connection - for one of the quickest installation times on the market. Built using the highest quality components this shower fits to just about any plumbing system, on virtually any pressure, with automatic shutdown if the water supply fails.

Key Features

Simply connect to water supplies within roof cavity | Includes pre-assembled hot and cold feed pipes plus isolating valves with filters | Surface mounted for minimal bathroom disruption - no channel pipe to cut | No tile or wall cutting required | Quick to install - only two fixings needed | Compatible with just about any plumbing system | UK design and manufacture - hot and cold water supplied down riser rail.

Safety Features

Thermostatic | TMV3 certified | Automatic shutdown if cold or hot water supply fails | Safety button override for hotter shower.

Outer Casing

All metal construction in chrome plated solid brass, including the fittings, for strength and durability.

Accessories

Full set of all chrome accessories: Multi-mode rub-clean handset | 3 position variable spray head | Soap dish | Hose with retaining ring | Riser rail | Adjustable clamp.

Pressure

Operating pressure - 0.1bar to 7bar.

Approvals

WRAS Approved product | TMV3 scheme certified.

Guarantee*

2 year product guarantee (UK). *Terms and conditions apply. Visit www.redring.co.uk for full details.

Technical Specification

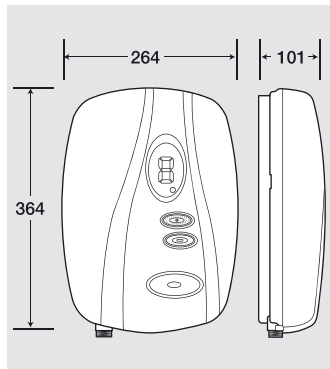
15mm copper pipes | Suitable for all connections including push-on | Pipes rotate for easy alignment compression and soldered joints | Overall height: 1100mm | Suitable for rooms with ceiling heights of up to 2.5 metres | Pressures from 0.1bar (1 metre head) to 7bar | Maximum hot to cold pressure differential should NOT exceed 2bar at higher pressures or 0.2bar at very low pressures | For pressures in excess of 7bar a pressure regulator should be fitted | Multi-function showerhead for pressures 0.2 - 7bar, single-function showerhead for 0.1 - 7bar especially gravity fed sites.



Product Reference	Short Code	Catalogue Number	Description
Selectronic TM	SLT1	36598201	Redring Selectronic Mixer Shower including riser rail, hose and high & low pressure shower heads

Specification & Technical Information

Selectronic Premier - State of the Art Thermostatic Electric Showers



Endorsed by the RNIB and selected for Inclusive Design status, these instantaneous showers are the most technologically advanced available from Redring and are the preferred choice of the blind, partially sighted, young children, elderly and less able. Pre-programmed to provide hot water at a comfortable and safe temperature, in lock mode the heat is capped at 40°C, with cooler adjustment; no accidental increase is possible.

Key Features

Unique micro processor control technology is the very epitome of intelligent shower design | Audible feedback response to push-button commands | Large one touch, easy-to-press Start/Stop button operation | Tactile button coding | Clear print control identification for ease of visibility and legibility | Large LED temperature readout display | Eco Water-Save feature that automatically calculates and adjusts the optimum flow rate.* Eco Water-Save meets the 'Sustainable Home' water consumption requirements per person for showering | Independent temperature adjustment | Automatic shutdown after 30 minutes of inactivity | Eco Power-Save feature that automatically adjusts the power of the shower to achieve the selected water temperature.* | Removable filter.

*Selected on installation

Safety Features

Fully thermostatic operation - maintains temperature within +/- 1°C | The shower is pre-programmed to provide automatically hot water at a constant and safe temperature | Safety temperature lock with override function | Phased shutdown - reducing scale and ensuring cool-start for next user | Ingenious temperature 'Lock Mode', with three optional settings - eliminating any increase by accident.* *Selected on installation

Outer Casing

White | High impact | Easy clean | Scratch resistant | Thermoplastic | Matt antiglare surface finish to control area.

Accessories

Curved multi-mode, 6 spray pattern option rub-clean handset | 0.45m riser rail | Adjustable handset holder | Soap dish | 1.25m easy clean smooth shower hose.

Pressure

Operating pressure - 0.7bar to 10bar.

Approvals

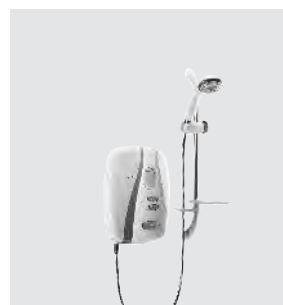
BEAB CARE | BEAB Approved | RNIB product endorsement | RNIB Inclusive Design status | Disabled Discrimination Act compliant | WRAS Approved Product | CE.

Guarantee*

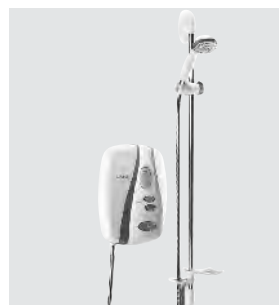
3 year product guarantee (UK). *Terms and conditions apply. Visit www.redring.co.uk for full details.

Technical Specification

Operating water pressure - 0.7 to 10bar (10-145psi) | Cable entries: top, bottom and rear (up to 16mm²) | Pipe entries: top, bottom, and rear (on right hand side) | Water connection - Standard 15mm inlet connection.



The Selectronic Premier



The Selectronic Premier Plus

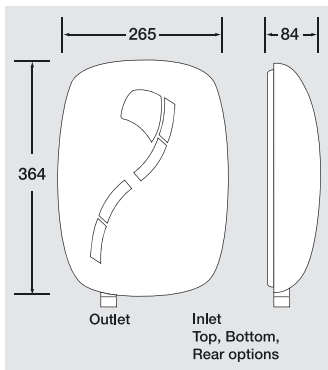


The Selectronic Premier Plus Remote

Product Reference	Short Code	Catalogue Number	Max Heat Setting (kW)	Loading @ 230-240V	Cable Size	Fuse Rating
Selectronic Premier-Std 8.5	SELP85S	53677501	8.5	7.8-8.5	6-10mm ²	35 amps
Selectronic Premier-Std 9.5	SELP95S	53678501	9.5	8.7-9.5	6-10mm ²	40 amps
Selectronic Premier-Std 10.8	SELP108S	53679501	10.8	9.9-10.8	10-16mm ²	45 amps
Selectronic Premier-Plus 8.5	SELP85P	53677505	8.5	7.8-8.5	6-10mm ²	35 amps
Selectronic Premier-Plus 9.5	SELP95P	53678505	9.5	8.7-9.5	6-10mm ²	40 amps
Selectronic Premier-Plus 10.8	SELP108P	53679505	10.8	9.9-10.8 1	0-16mm ²	45 amps
Selectronic Premier-Remote 8.5	SELP85PR	53677510	8.5	7.8-8.5	6-10mm ²	35 amps
Selectronic Premier-Remote 9.5	SELP95PR	53678510	9.5	8.7-9.5	6-10mm ²	40 amps
Selectronic Premier-Remote 10.8	SELP108PR	53679510	10.8	9.9-10.8	10-16mm ²	45 amps

*Operating water pressure 0.7-10 bar (10-145 psi) | Cable entries - top, bottom and rear (up to 16mm²) | Pipe entries - top, bottom and back (on right hand side) | Water connection -15mm compression fitting, including nut and olive supplied | Fixing pack supplied | Fully temperature stabilised.

Selectronic Shower Safe - Thermostatic Electric Showers



The Selectronic Shower Safe range combines unique microprocessor thermostatic controls with contemporary styling to give the ideal shower for all the family. Its simple to use push button controls with premium chrome accessories make it both 'safe' and 'stylish'.

Key Features

One-touch operation | Tactile button coding with large, easy to press buttons | Heat exchanger designed to minimise the build up of scale | LED digital readout | Independent adjustment for both temperature and water flow rate.

Safety Features

Fully thermostatic - adjusting power and water flow to achieve selected temperature | Microprocessor thermostatic control for safety and comfort | Pre-programmed start-up temperature of 41°C | Phased shutdown - reducing scale and ensuring cool-start use | Audible feedback response commands | Auto shut-off to protect against high temperatures.

Outer Casing

White | High impact | Easy clean | Scratch resistant | Thermoplastic.

Accessories

Premium chrome accessory kit: 6 mode rub-clean handset | Riser rail with fully adjustable handset holder | Soap dish | Chrome shower hose

Pressure

Operating pressure - 0.7bar to 10bar.

Approvals

BEAB Approved | CE.

Guarantee*

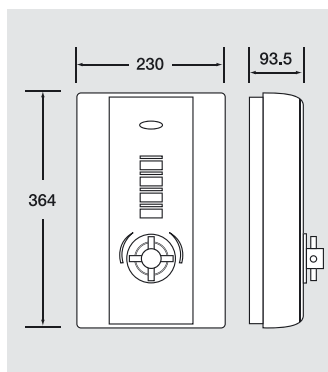
3 year product guarantee (UK).
*Terms and conditions apply.
Visit www.redring.co.uk for full details.

Technical Specification

Operating water pressure - 0.7 to 10bar (10-145psi) | Cable entries: top, bottom and rear (up to 16mm²) | Pipe entries: top, bottom, and rear (on right hand side) | Water connection - 15mm plain shank tails push fit or standard compression fitting.

Product Reference	Short Code	Catalogue Number	Max Heat Setting (kW)	Loading @ 230-240V	Cable Size	Fuse Rating
Selectronic Showersafe 8.5kW	SEL85T	53557020	8.5	7.8 - 8.5	6 - 10mm ²	40 amps
Selectronic Showersafe 9.5kW	SEL95T	53558020	9.5	8.7 - 9.5	6 - 10mm ²	45 amps
Selectronic Showersafe 10.8kW	SEL108T	53559020	10.8	9.9 - 10.8	10 - 16mm ²	45 amps

Advantage 550 - White Multi-service Entry Electric Showers



Ideal for shower replacement and upgrades, the Advantage 550 has been developed with the very latest instantaneous shower styling, mixing traditional and contemporary functionality. Designed to stabilise temperature changes caused by water pressure fluctuations, it comes with the convenience of a push button start/stop and power selection facility. Phased shutdown is a key feature, and ensures residual hot water is flushed out reducing scale and ensuring cool-start use.

Key Features

Six pipe, six cable entry configuration (left, right, top, bottom or rear) - for highly flexible installations or replacements | Push button power selection on/off control | 3 push button power settings (cold/economy/high) | LED power indicator | Independent rotary temperature control for set and forget convenience | Flush buttons for easy clean.

Safety Features

Fully temperature stabilised | Smart Time[®] phased shutdown - electronic flushing of residual hot water which reduces scale and ensures cool-start use | Phased shutdown flashing LED indicator overheat protection.

Outer Casing

White front cover | High impact | Easy clean | Thermoplastic material.

Accessories

Chrome 6 mode rub-clean handset and full accessory kit: Soap dish | Hose with retaining ring | Riser rail | Adjustable clamp.

Pressure

Operating pressure - 0.7bar to 7bar.

Approvals

BEAB Approved | CE.

Guarantee*

2 year product guarantee (UK).
*Terms and conditions apply.
Visit www.redring.co.uk for full details.

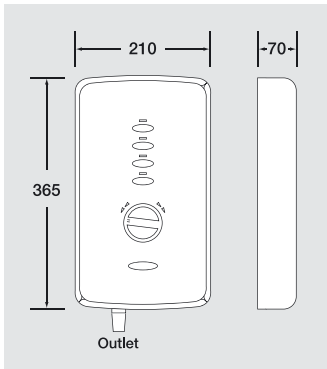
Technical Specification

Left or right - Top, bottom or rear entries | Fittings included | Operating water pressure - 0.7 to 7bar (10-100psi) | Water pressure - operated power switch | Water connection - 15mm plain shank tails push fit or standard compression fittings | Removable lower section for ease of installation.

Product Reference	Short Code	Catalogue Number	Max Heat Setting (kW)	Loading @ 230-240V	Cable Size	Fuse Rating
Advantage 550 8.5kW	ADV5508	53674202	8.5	7.8 - 8.5	6 - 10mm ²	40 amps
Advantage 550 9.5kW	ADV5509	53676702	9.5	8.7 - 9.5	6 - 10mm ²	45 amps

Specification & Technical Information

Slimline 650 - White Ultra Slim Push Button Electric Showers



The Slimline 650 has an ultra slimline profile, generating more space in a shower cubicle. It is fully temperature stabilised and has the added convenience of a push button power selection facility. The phased shutdown feature ensures that temperatures are managed to deliver a cool and safe start-up for the next user.

Key Features

Ultra slimline profile | Push button power selection and on/off | 3 power settings | Rotary flow/temperature control for set and forget convenience | LED power indication | Multi-service points for ease of installation.

Safety Features

Fully temperature stabilised | Overheat protection | Smart Time® phased shutdown - electronic flushing of residual hot water which reduces scale and ensures cool-start use | Phased shutdown flashing LED indicator.

Outer Casing

White | High impact | Easy clean | Scratch resistant | Thermoplastic.

Accessories

White and chrome accessory kit: Rub-clean, multi-mode handset with 3 position variable spray head | Soap dish | Hose with retaining ring | Riser rail | Adjustable clamp.

Pressure

Operating pressure - 1.0bar to 10bar.

Approvals

BEAB Approved | CE.

Guarantee*

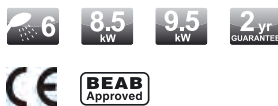
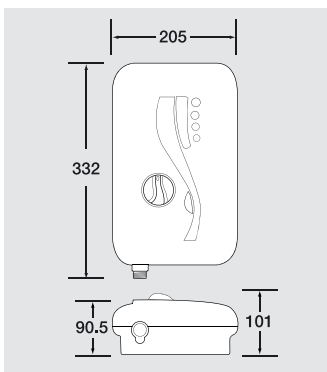
2 year product guarantee (UK).
*Terms and conditions apply.
Visit www.redring.co.uk for full details.

Technical Specification

Operating water pressure - 1 to 10bar (14.5-145psi) | Water pressure operated power switch | Water connection - 15mm plain shank tails push fit or standard compression fittings connection | Top, bottom or rear cable entry | Top, bottom or rear water entry | Accessories - soap dish has removable insert for easy cleaning | Product has a removable side section for ease of installation.

Product Reference	Short Code	Catalogue Number	Max Heat Setting (kW)	Loading @ 230-240V	Cable Size	Fuse Rating
Slimline 650 8.5kW	R6508	53557201	8.5	7.8 - 8.5	6 - 10mm ²	40 amps
Slimline 650 9.5kW	R6509	53558201	9.5	8.7 - 9.5	6 - 10mm ²	45 amps
Slimline 650 10.5kW	R65010	53559201	10.5	9.6 - 10.5	10 - 16mm ²	45 amps

Expressions 550S - Smart Technology Electric Showers



The Expressions 550S has been developed with contemporary 'S-line' styling and smart technology to provide the convenience of a push button start/stop facility and push button power selection. Phased shutdown is a key feature provided through electronic control and this shower also has a temperature ready LED indicator.

Key Features

Smart Flow® flow indication - LED indicates flow levels | Smart Start® temperature - LED indicates when chosen temperature is ready | Separate push button power controls: 'High On', 'Medium On', 'Cold On' and 'Stop' LED indicators | Top, bottom or rear entry access for cable and cold water supply | Removable corner section for ease of installation.

Safety Features

Fully temperature stabilised | Smart Time® phased shutdown - electronic flushing of residual hot water which reduces scale and ensures cool-start use | Phased shutdown flashing LED indicator | Overheat LED indicator | Rotary flow/temperature control with Smart Temp® - illuminated digital temperature indicator.

Outer Casing

Polar white | High impact | Easy clean | Thermoplastic.

Accessories

Deluxe chrome 6 mode rub-clean handset and oval curved style accessory kit: Soap dish | Hose with retaining ring | Riser rail | Adjustable clamp.

Pressure

Operating pressure - 0.7bar to 7bar.

Approvals

BEAB Approved | CE.

Guarantee*

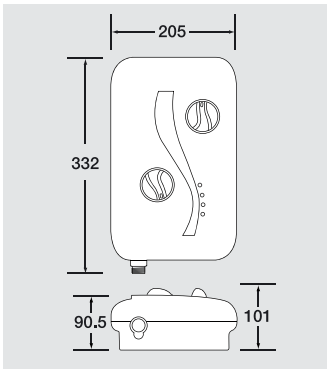
2 year product guarantee (UK).
*Terms and conditions apply.
Visit www.redring.co.uk for full details.

Technical Specification

Operating water pressure - 0.7 to 7bar (10-100psi) | Water pressure operated power switch | Water connection - standard 15mm inlet connection | Top, bottom or rear cable entry options | Fixing pack and instructions supplied | Removable corner section for ease of installation.

Product Reference	Short Code	Catalogue Number	Max Heat Setting (kW)	Loading @ 230-240V	Cable Size	Fuse Rating
Expressions 550S 8.5kW	EX5508S	53674001	8.5	7.8 - 8.5	6 - 10mm ²	40 amps
Expressions 550S 9.5kW	EX5509S	53674501	9.5	8.7 - 9.5	6 - 10mm ²	45 amps

Expressions 500S - Smart Technology Electric Showers



Developed with contemporary 'S-line' styling, smart technology and a convenient start/stop button, the best selling Expressions 500S allows the power and flow rate setting to remain set ready for your next shower.

Key Features

Separate rotary control for power selection | Push button stop/start, for 'set and forget' convenience | 3 power settings with 'Power On', 'Power Medium' and 'Power High' neon indicators | Top, bottom or rear entry access for cable and cold water supply | Removable corner section for ease of installation.

Safety Features

Fully temperature stabilised | Smart Time[®] phased shutdown - electronic flushing of residual hot water which reduces scale and ensures cool-start use | Overheat LED indicator | Rotary flow/temperature control with numerical indicator window.

Outer Casing

Polar white | High impact | Easy clean | Scratch resistant | Thermoplastic.

Accessories

Chrome 6 mode rub-clean handset and full accessory kit: Soap dish | Hose with retaining ring | Riser rail | Adjustable clamp.

Pressure

Operating pressure - 0.7bar to 7bar.

Approvals

BEAB Approved | CE.

Guarantee*

2 year product guarantee (UK).
*Terms and conditions apply.
Visit www.redring.co.uk for full details.

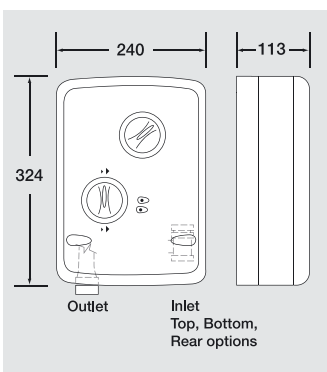
Technical Specification

Operating water pressure 0.7 to 7bar (10-100psi) | Water pressure operated power switch | Water connection - standard 15mm inlet connection | Top, bottom or rear cable entry options | Removable corner section for ease of installation.



Product Reference	Short Code	Catalogue Number	Max Heat Setting (kW)	Loading @ 230-240V	Cable Size	Fuse Rating
Expressions 500S 7.2kW	EX5007S	53672501	7.2	6.6 - 7.2	4 - 6mm ²	30 amps
Expressions 500S 8.5kW	EX5008S	53673001	8.5	7.8 - 8.5	6 - 10mm ²	40 amps
Expressions 500S 9.5kW	EX5009S	53673501	9.5	8.7 - 9.5	6 - 10mm ²	45 amps

Expressions 570 - Pumped - White Integral Pumped Electric Showers



The Expressions 570 provides the convenience of electric showering in areas where no mains water, or low water pressure, prevents the use of normal electric instant showers. By combining a standard electric shower and booster pump, this shower can simply be connected to a cold water header tank.

Key Features

Instant electric shower with integral pump to ensure constant water flow | High and low power selection | Rotary control for temperature/flow selection | Ideal for installations where water pressure is insufficient for an instant shower | Cold water cistern fed (not mains).

Outer Casing

Polar white | High impact | Easy clean | Scratch resistant | Thermoplastic.

Accessories

Full set of white and chrome accessories: Premium wide spray multi-mode handset | Soap dish | Hose with retaining ring | Riser rail | Adjustable clamp.

Pressure

Cold water cistern fed - operating water pressure: 3" or 0.08m minimum head to 33" or 10m maximum head.

Approvals

BEAB Approved | CE.

Guarantee*

2 year product guarantee (UK).
*Terms and conditions apply.
Visit www.redring.co.uk for full details.

Technical Specification

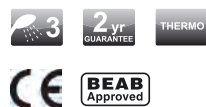
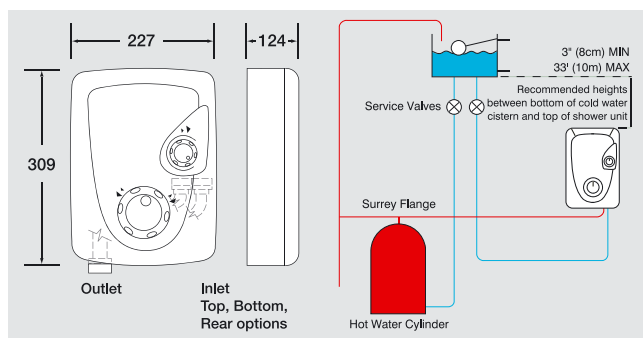
Cold water cistern fed | Operating water pressure - 3" minimum head to 33" maximum head (0.08m to 10m) | Top, bottom and rear water and cable entry options | 15mm push-fit fitting for cold water inlet connection | The unit incorporates a 240V 140W AC motor to boost flow | Maximum flow rate - 7.0 litres/min.



Product Reference	Short Code	Catalogue Number	Max Heat Setting (kW)	kW Loading @ 230-240V	Cable Size	Fuse Rating
Expressions 570 8.5kW	EXP5708	24555515	8.5	7.8 - 8.5	6 - 10mm ²	40 amps
Expressions 570 9.5kW	EXP5709	24556015	9.5	8.7 - 9.5	6 - 10mm ²	45 amps

Specification & Technical Information

Expressions 520TS & 520M - Thermostatic and Manual Power Showers



The Expressions 520 range delivers luxury showering performance from an integrated booster pump and mixer valve in a simple to plumb installation. Taking both hot and cold water from the cylinder and header tank respectively, the integral pump delivers up to a maximum of 14 litres per minute. The Expressions 520TS unit incorporates fully thermostatic performance.

Key Features

Electric power shower | On/off flow control | Multi-entry options | Push-fit pipe connections | Separate temperature control.

Safety Features

Adjustable temperature limiter with override feature | **TS model only:** Thermostatic power shower, thermostatic control and operation.

Outer Casing

Polar white | High impact | Easy clean | Scratch resistant | Thermoplastic.

Accessories

Full set of white and chrome accessories: Premium wide spray multi-mode handset | Soap dish | Hose with retaining ring | Riser rail and adjustable clamp.

Pressure

Gravity fed - operating water pressure: 3" or 0.08m minimum head to 33" or 10m maximum head.

Approvals

BEAB Approved | CE.

Guarantee*

2 year product guarantee (UK). *Terms and conditions apply. Visit www.redring.co.uk for full details.

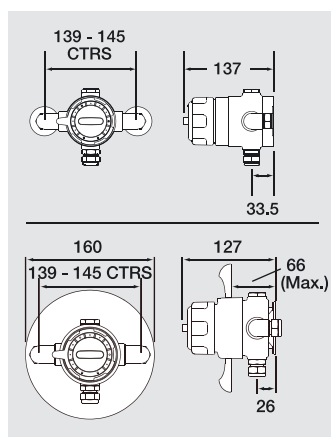
Technical Specification

Motor rating - 140 watts @ 240V | Mains supply - 220-240V supply | Top, bottom or rear cable entry | Top, bottom or rear water entry | Accessories - soap dish has removable insert for easy cleaning.

Product Reference	Short Code	Catalogue Number	Flow Rate	Mixing Chamber	Min. Head	Max. Head
Expressions 520M	EXM520WC	46598415	14 litres/min	Manual Cartridge	3" or 0.08m	33' or 10m
Expressions 520TS	EXTS520WC	46599415	12 litres/min	Thermostatic Cartridge	3" or 0.08m	33' or 10m

M = Manual TS = Thermostatic

Concentric Thermostatic Mixer - Surface or Flush Thermostatic Mixer Showers



The Concentric Mixer shower combines quality, design and performance. Engineered to deliver invigorating performance and precise temperature control the easy to grip, dual, independent controls gives you dominance over temperature and flow. Once set, the temperature control technology maintains the chosen temperature, regardless of other water users. The valve is available with either surface mounted or recessed fitting options and comes with an adjustable spray handset with 3 invigorating spray patterns and easy rub-clean nozzles.

Key Features

Suitable for most plumbing systems | Separate flow and temperature controls ensure next shower visit requires no adjustment | Adjustable inlet elbows for ease of installation | Brass body ensures longevity in hard water.

Safety Features

Instant thermostatic shut-off in the event of hot or cold water failure | Maintains temperature to + or -1°C | Factory set at 43°C ensures safe maximum operating temperature.

Outer Casing

Chromed brass.

Accessories

Chrome multi-mode handset provides 3 different spray options | Handset height adjustment 530mm (22") | Detachable soap dish for easy cleaning | 1.25m (4ft) flexible hose.

Pressure

Operating pressure - 0.1bar to 5.0bar (Flow limiters included).

Guarantee*

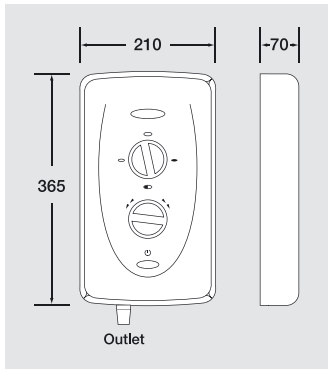
2 year product guarantee (UK). *Terms and conditions apply. Visit www.redring.co.uk for full details.

Technical Specification

Will suit: low, mains, pumped, unequal and gravity water pressure systems | Water pressure - 0.1bar to 5.0bar max. | +0.5bar - flow limiters included | Adjustable inlet elbows for ease of installation | Standard 15mm inlet connection.

Product Reference	Short Code	Catalogue Number
Surface Concentric Thermo Mixer	CTM1S	36594230
Flush Concentric Thermo Mixer	CTM1F	36594231

Slimline 620 - White Ultra Slim Electric Showers



Packed full of features, the 620 with its ultra slimline profile, timed phased shutdown, overheat protection and multi-mode handset is an ideal choice for upgrading or replacing existing shower installations to generate more space in a shower cubicle.

Key Features

Ultra slimline profile | Push button for on/off selection | Rotary power select | Rotary flow/temperature control | 4 power settings | Multi-service points for ease of installation.

Safety Features

Fully temperature stabilised | Overheat protection | Smart Time™ phased shutdown - electronic flushing of residual hot water which reduces scale and ensures cool-start use.

Outer Casing

Polar white | High impact | Easy clean | Scratch resistant | Thermoplastic.

Accessories

Chrome accessory kit: Rub-clean, multi-mode handset | 3 position variable spray head | Soap dish | Hose with retaining ring | Riser rail | Adjustable clamp.

Pressure

Operating pressure - 1.0bar to 10bar.

Approvals

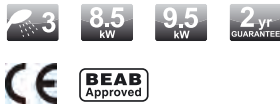
BEAB Approved | CE.

Guarantee*

2 year product guarantee (UK).
*Terms and conditions apply.
Visit www.redring.co.uk for full details.

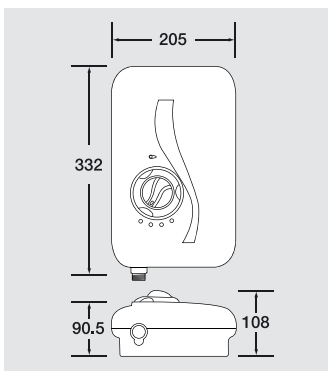
Technical Specification

Operating water pressure - 1 to 10bar (14.5-145psi) | Water pressure operated power switch | Water connection - 15mm plain shank push fit or standard compression fittings | Top, bottom or rear cable entry | Top, bottom or rear water entry | Product has a removable side section for ease of installation.



Product Reference	Short Code	Catalogue Number	Heat Setting (kW)	kW Loading @ 230-240V	Cable Size	Fuse Rating
Slimline 620 8.5kW	R6208	53555201	8.5	7.8 - 8.5	6 - 10mm ²	40 amps
Slimline 620 9.5kW	R6209	53556201	9.5	8.7 - 9.5	6 - 10mm ²	45 amps

Active 350S - White Dual Concentric Control Electric Showers



The Active 350S allows accurate temperature selection. Developed with contemporary 'S-line' styling and smart technology, the integral water control valve provides on/off selection via the outer control knob, allowing the flow rate/temperature position to remain at your favourite setting from your last shower.

Key Features

3 power settings | Separate controls for temperature adjustment and power selection | Neon power indicator.

Safety Features

Fully temperature stabilised | Smart Time® phased shutdown - electronic flushing of residual hot water which reduces scale and ensures cool-start use | Rotary control for on/off and power selection | Overheat protection | Electric solenoid operation on/off | Temperature and flow control with single turn valve.

Outer Casing

Polar white | High impact | Easy clean | Scratch resistant | Thermoplastic.

Accessories

Chrome accessory kit: Single rub-clean handset | Soap dish | Hose retaining ring | Riser rail | Height adjustable clamp.

Pressure

Operating pressure - 0.7bar to 7bar.

Approvals

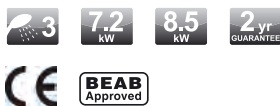
BEAB Approved | CE.

Guarantee*

2 year product guarantee (UK).
*Terms and conditions apply.
Visit www.redring.co.uk for full details.

Technical Specification

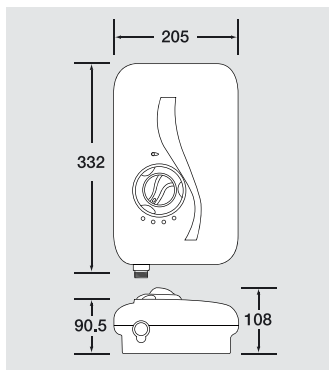
Operating water pressure - 0.7 to 7bar (10-100 psi) | Water pressure operated power switch | Water connection - Standard 15mm inlet connection | Top, bottom or rear cable entry options | Removable side section for ease of installation.



Product Reference	Short Code	Catalogue Number	Max Heat Setting (kW)	kW Loading @ 230-240V	Cable Size	Fuse Rating
Active 350S 7.2kW	A3507S	53671501	7.2	6.6 - 7.2	4 - 6mm ²	30 amps
Active 350S 8.5kW	A3508S	53672001	8.5	7.8 - 8.5	6 - 10mm ²	40 amps

Specification & Technical Information

Active 320S - White Dual Control Electric Showers



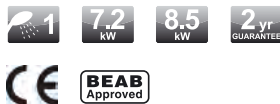
The Active 320S has a unique dual control, combining power select and on/off rotary flow/temperature control. Developed with contemporary 'S-line' styling and smart technology this shower comes complete with single-mode handset and riser rail kit all in chrome.

Key Features

3 power settings with neon power on indicator | Top, bottom or rear entry access for cable and cold water supply.

Safety Features

Fully temperature stabilised with 'Smart Stop®' hot water purge reducing scale and ensuring cool start | Dual concentric rotary controls for on/off and power selection | Overheat protection | Electric solenoid operation on/off | Temperature and flow control with single turn valve | Removable corner section for ease of installation.



Outer Casing

Polar white | High impact | Easy clean | Scratch resistant | Thermoplastic.

Accessories

Chrome accessory kit: Single-mode rub-clean handset | Soap dish | Hose retaining ring | Riser rail | Height adjustable clamp.

Pressure

Operating pressure - 0.7bar to 7bar.

Approvals

BEAB Approved | CE.

Guarantee*

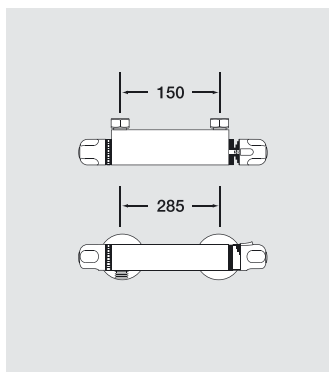
2 year product guarantee (UK). *Terms and conditions apply. Visit www.redring.co.uk for full details.

Technical Specification

Operating water pressure - 0.7 to 7bar (10-100psi) | Water pressure operated power switch | Water connection - standard 15mm inlet connection | Top, bottom or rear cable entry options | Removable corner section for ease of installation.

Product Reference	Short Code	Catalogue Number	Max Heat Setting (kW)	kW Loading @ 230-240V	Cable Size	Fuse Rating
Active 320S 7.2kW	A3207S	53670501	7.2	6.6 - 7.2	4 - 6mm ²	30 amps
Active 320S 8.5kW	A3208S	53671001	8.5	7.8 - 8.5	6 - 10mm ²	40 amps

Bar Thermostatic Mixer - Thermostatic Mixer Shower



The Bar Mixer combines traditional design, contemporary technology and economical pricing and with dual controls, for separate temperature and independent flow adjustment, this thermostatic mixer has built-in temperature safeguards and offers first-rate performance. It recognises and compensates for changes in water pressure and temperature, mixing accordingly, to maintain desired selected shower. It is also easy to install and requires no electrical connections.

Key Features

Uses COLD water from storage tank and stored HOT water from the cylinder | Easy-grip control increases and decreases flow | Easy-grip independent temperature controls | Adjustable inlet elbows for ease of installation.



Safety Features

Thermostatic temperature control | Numerical temperature indicator | Maintains temperature to + or -2°C | Temperature limiter factory set at 38°C | Discreet temperature override button facility.

Outer Casing

Chromed brass.

Accessories

Chrome multi-mode handset provides 3 different spray options | Crystal clear detachable soap dish for easy cleaning | 1.25m (4ft) flexible hose with retaining ring, riser rail and adjustable clamp.

Pressure

Operating pressure - 0.1bar to 5.0bar.

Guarantee*

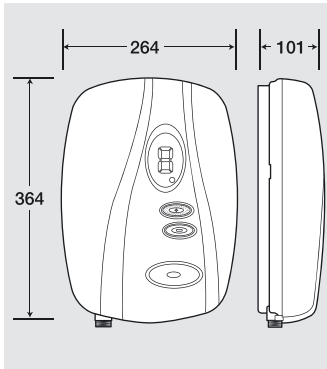
2 year product guarantee (UK). *Terms and conditions apply. Visit www.redring.co.uk for full details.

Technical Specification

Will suit: low, mains, pumped, unequal and gravity water pressure systems | Running water pressure 0.1bar to 5.0bar max. | Maximum static water pressure 10bar | Handset height adjustment 530mm (22") | Standard 15mm inlet connection.

Product Reference	Short Code	Catalogue Number
Bar TM	BTM1	36594240

Selectronic Premier - State of the Art Thermostatic Electric Showers



Endorsed by the RNIB and selected for Inclusive Design status, these instantaneous showers are the most technologically advanced available from Redring and are the preferred choice of the blind, partially sighted, young children, elderly and less able. Pre-programmed to provide hot water at a comfortable and safe temperature, in lock mode the heat is capped at 40°C, with cooler adjustment; no accidental increase is possible.

Key Features

Unique micro processor control technology is the very epitome of intelligent shower design | Audible feedback response to push-button commands | Large one touch, easy-to-press Start/Stop button operation | Tactile button coding | Clear print control identification for ease of visibility and legibility | Large LED temperature readout display | Eco Water-Save feature that automatically calculates and adjusts the optimum flow rate.* Eco Water-Save meets the 'Sustainable Home' water consumption requirements per person for showering | Independent temperature adjustment | Automatic shutdown after 30 minutes of inactivity | Eco Power-Save feature that automatically

adjusts the power of the shower to achieve the selected water temperature.*
 | Removable filter.
 *Selected on installation

Safety Features

Fully thermostatic operation - maintains temperature within +/- 1°C | The shower is pre-programmed to provide automatically hot water at a constant and safe temperature | Safety temperature lock with override function | Phased shutdown - reducing scale and ensuring cool-start for next user | Ingenious temperature 'Lock Mode', with three optional settings - eliminating any increase by accident.*
 *Selected on installation

Outer Casing

White | High impact | Easy clean | Scratch resistant | Thermoplastic | Matt antiglare surface finish to control area.

Accessories

Curved multi-mode, 6 spray pattern option rub-clean handset | 0.45m riser rail | Adjustable handset holder | Soap dish | 1.25m easy clean smooth shower hose.

Pressure

Operating pressure - 0.7bar to 10bar.

Approvals

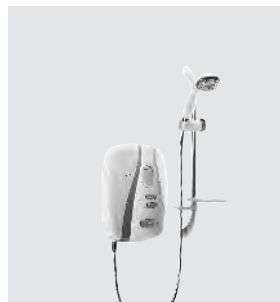
BEAB CARE | BEAB Approved | RNIB product endorsement | RNIB Inclusive Design status | Disabled Discrimination Act compliant | WRAS Approved Product | CE.

Guarantee*

3 year product guarantee (UK).
 *Terms and conditions apply.
 Visit www.redring.co.uk for full details.

Technical Specification

Operating water pressure - 0.7 to 10bar (10-145psi) | Cable entries: top, bottom and rear (up to 16mm²) | Pipe entries: top, bottom, and rear (on right hand side) | Water connection - Standard 15mm inlet connection.



The Selectronic Premier



The Selectronic Premier Plus



The Selectronic Premier Plus Remote

Product Reference	Short Code	Catalogue Number	Max Heat Setting (kW)	Loading @ 230-240V	Cable Size	Fuse Rating
Selectronic Premier-Std 8.5	SELP85S	53677501	8.5	7.8-8.5	6-10mm ²	35 amps
Selectronic Premier-Std 9.5	SELP95S	53678501	9.5	8.7-9.5	6-10mm ²	40 amps
Selectronic Premier-Std 10.8	SELP108S	53679501	10.8	9.9-10.8	10-16mm ²	45 amps
Selectronic Premier-Plus 8.5	SELP85P	53677505	8.5	7.8-8.5	6-10mm ²	35 amps
Selectronic Premier-Plus 9.5	SELP95P	53678505	9.5	8.7-9.5	6-10mm ²	40 amps
Selectronic Premier-Plus 10.8	SELP108P	53679505	10.8	9.9-10.8 1	0-16mm ²	45 amps
Selectronic Premier-Remote 8.5	SELP85PR	53677510	8.5	7.8-8.5	6-10mm ²	35 amps
Selectronic Premier-Remote 9.5	SELP95PR	53678510	9.5	8.7-9.5	6-10mm ²	40 amps
Selectronic Premier-Remote 10.8	SELP108PR	53679510	10.8	9.9-10.8	10-16mm ²	45 amps

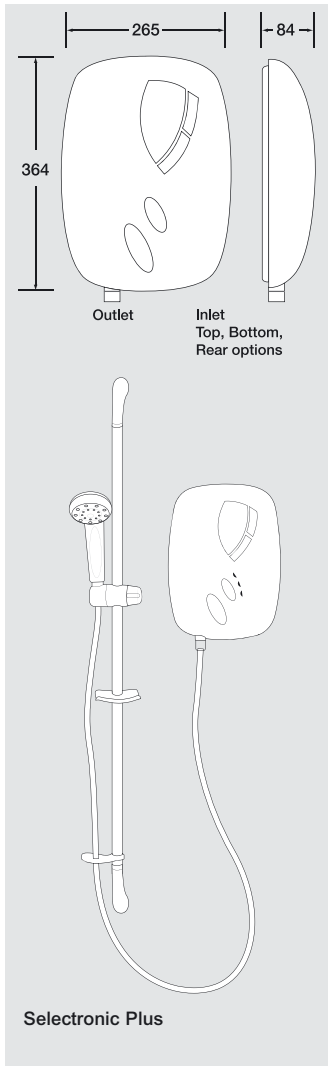
*Operating water pressure 0.7-10 bar (10-145 psi) | Cable entries - top, bottom and rear (up to 16mm²) | Pipe entries - top, bottom and back (on right hand side) | Water connection - 15mm compression fitting, including nut and olive supplied | Fixing pack supplied | Fully temperature stabilised.

Product Reference	Short Code	Catalogue Number	Suitable for	Colour
Extended control lever	LEV2	83595324	Expressions 550S & 500S	White
Extended control lever	LEV3	83595324	Active 350S & 320S	White
Complete care pack*	CCP1	83595322	All installations	White

*Includes brackets | multi-mode handset | handset clamp | soap dish and hose retainer with 2m hose and 1m riser rail.

Specification & Technical Information

Selectronic & Selectronic Plus - Thermostatic Electric Showers



Endorsed by the RNIB and selected for Inclusive Design status, these instantaneous showers are the most technologically advanced available from Redring and are the preferred choice of the blind, partially sighted, young children, elderly and less able. Pre-programmed to provide hot water at a comfortable and safe temperature, in lock mode the heat is capped at 40°C, with cooler adjustment; no accidental increase is possible.

Key Features

One-touch operation | Large tactile, easy to press buttons | Large LED digital readout | Independent adjustment for temperature and water flow rate | High-visibility shower head and clamp | Automatic shutdown after 30 minutes of inactivity.

Safety Features

Fully thermostatic - adjusting power and water flow to selected temperature | Safety temperature lock 40°C with override | Phased shutdown - reducing scale and ensuring cool-start use | Audible feedback response commands | Matt antiglare label backing.

Outer Casing

White | High impact | Easy clean | Scratch resistant | Thermoplastic.

Accessories

Curved white 6 pattern rub-clean handset | 0.45m riser rail | Adjustable handset holder | Soap dish | High quality 1.25m chrome shower hose | (**Selectronic Plus** - as above but with 1m riser rail and 2m smooth white hose).

Pressure

Operating pressure - 0.7bar to 10bar.

Approvals

BEAB CARE | BEAB Approved | RNIB product endorsement | RNIB Inclusive Design status | Disabled Discrimination Act compliant | WRAS Approved Product | CE.

Guarantee*

3 year product guarantee (UK).
*Terms and conditions apply.
Visit www.redring.co.uk for full details.

Technical Specification

Operating water pressure - 0.7 to 10bar (10-145psi) | Cable entries: top, bottom and rear (up to 16mm²) | Pipe entries: top, bottom, and rear (on right hand side) | Water connection: 15mm plain shank tails, push fit or standard compression fittings | Accessories - soap dish has removable insert for easy cleaning.

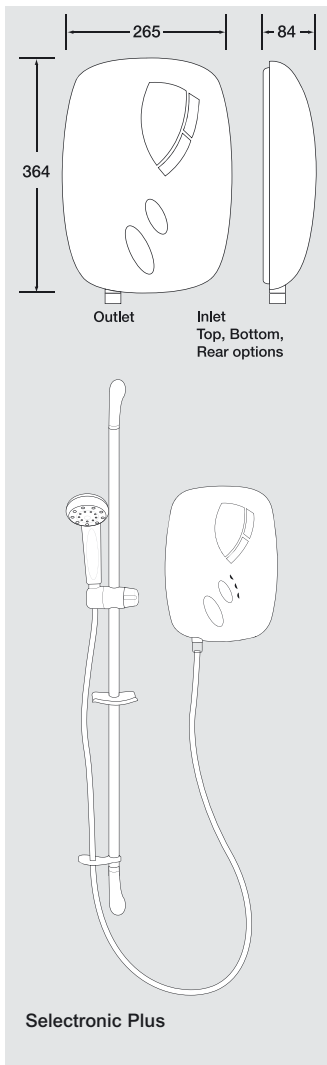


Product Reference	Short Code	Catalogue Number	Max Heat Setting (kW)	Loading @ 230-240V	Cable Size	Fuse Rating
Selectronic 8.5kW	SEL85S	53557001	8.5	7.8 - 8.5	6 - 10mm ²	40 amps
Selectronic 9.5kW	SEL95S	53558001	9.5	8.7 - 9.5	6 - 10mm ²	45 amps
Selectronic 10.8kW	SEL108S	53559001	10.8	9.9 - 10.8	10 - 16mm ²	45 amps
Selectronic Plus 8.5kW	SEL85P	53557005	8.5	7.8 - 8.5	6 - 10mm ²	40 amps
Selectronic Plus 9.5kW	SEL95P	53558005	9.5	8.7 - 9.5	6 - 10mm ²	45 amps
Selectronic Plus 10.8kW	SEL108P	53559005	10.8	9.9 - 10.8	10 - 16mm ²	45 amps

Product Reference	Short Code	Catalogue Number	Suitable for	Colour
Extended control lever	LEV2	83595324	Expressions 550S & 500S	White
Extended control lever	LEV3	83595324	Active 350S & 320S	White
Complete care pack*	CCP1	83595322	All installations	White

*Includes brackets | multi-mode handset | handset clamp | soap dish and hose retainer with 2m hose and 1m riser rail.

Selectronic Plus complete with Level Access Pump - Thermostatic Electric Shower and Pump Pack



Where a gravity drain is not an option, this shower and pump pack provides a solution. The Selectronic shower controls the level access drain pump directly, removing the need to fit a separate flow switch and associated wiring. Selectronic is endorsed by the RNIB and meets all the latest additional safety standards required for care establishments and less able users.

Key Features

Shower and pump in a pack | Reduced installation time - shower controls pump directly so no requirement for separate flow switch/associated wiring | Meets the Disability Discrimination Act (DDA) | 'Inclusive Design' status, endorsed by RNIB | One-touch operation | Large, tactile, easy to press buttons | Large LED digital readout | Clear print independent adjustment for temperature and water flow rate | Hi-visibility colour coded showerhead & clamp | Automatic shutdown - after 30 minutes of inactivity | Additional time delay adjustment for pump start-up & over-run | Minimal maintenance - diaphragm (not impeller) pump action - removes residual shower waste (hair, grit, gel) without blocking.

Safety Features

Thermostatic - adjusting power & water flow to selected temperature | Safety temperature lock - 40°C, with override | Phased shutdown - reducing scale and ensuring cool-start use | Audible feedback response commands | Auto shutdown - after 30 minutes of inactivity | Low voltage pump for safe operation | Matt antiglare label backing.

Outer Casing

Thermoplastic | High impact | Easy clean | Scratch resistant.

Accessories

Multi-mode, rub-clean handset, 1m riser rail | Adjustable handset holder | Soap dish | 2m shower hose.

Pressure

Operating pressure - 0.7bar to 10bar.

Approvals

BEAB CARE | BEAB Approved | RNIB product endorsement | RNIB Inclusive Design status | Disabled Discrimination Act compliant | WRAS Approved Product | CE.

Guarantee*

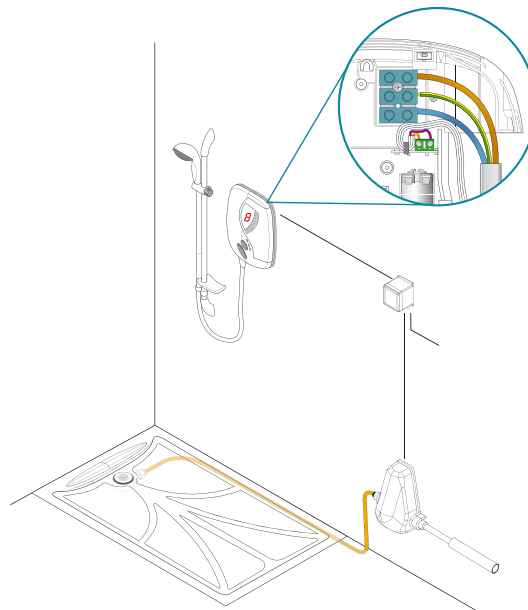
Shower - 3 year (UK) | Pump - 2 year guarantee (UK). *Terms and conditions apply. Visit www.redring.co.uk for full details.

Technical Specification

Operating water pressure - 0.7 to 10bar (10-145psi) | Cable entries: top, bottom and rear (up to 16mm²) | Pipe entries: top, bottom, and rear (on right hand side) | Water connection - 15mm plain shank tails push fit or standard compression fittings | Accessories - soap dish has removable insert for easy cleaning.

Pack Contents

Selectronic thermostatic shower including 2m hose and 1m riser rail | Pump shroud | Shower drain pump | Pump wall plate | Shower trap | Shower drain pump control unit | Shroud cover screws (x 2) | 15mm speedfit connectors (x 2) | 22mm speedfit connectors (x 2) | 32mm reducer | 19mm reducer.



Pump Overview

Combined in harmony with the Selectronic shower, the Level Access Pump uses a diaphragm (not impeller) pump action, and easily removes all residual shower waste including hair, grit and gel - without blocking. With an additional time delay adjustment for start-up and over-run, this level access drain pump allows for the perfect modern wetroom to be installed almost anywhere.

Technical (Cont.d)

NB: The Selectronic shower variant for use with the Selectronic pump system is fully, third party, approved by BEAB to EN 60335-1: 1995 (Safety of household and similar electrical appliances) and EN 60335-2-35 (The particular requirements for instantaneous water heaters).



Product Reference	Short Code	Catalogue Number	Max Heat Setting (kW)	Loading @ 230-240V	Cable Size	Fuse Rating
Selectronic CWP 8.5kW	SEL85LAP	53557090	8.5	7.8 - 8.5	6 - 10mm ²	40 amps
Selectronic CWP 9.5kW	SEL95LAP	53558090	9.5	8.7 - 9.5	6 - 10mm ²	45 amps

Product Reference	Short Code	Catalogue Number	Suitable for	Colour
Extended control lever	LEV2	83595324	Expressions 550S & 500S	White
Extended control lever	LEV3	83595324	Active 350S & 320S	White
Complete care pack*	CCP1	83595322	All installations	White

*Includes brackets | multi-mode handset | handset clamp | soap dish and hose retainer with 2m hose and 1m riser rail.

Switchboard

01733 456789

Customer Helpline

0844 372 7766

Brochure Hotline

08709 000540

applied energy 

Applied Energy Products Ltd
Morley Way
Peterborough
PE2 9JJ

t +44 (0) 844 372 7761

f +44 (0) 844 372 7762

www.redring.co.uk

info@redring.co.uk



www.youtube.com/user/redringsolutions



www.twitter.com/redringsolution

R050 October 2010

All Redring products, unless otherwise stated, are covered by a full parts and labour guarantee for 1 year from the date of purchase, so should the product become faulty within the guarantee period, it will be replaced with a new product or repaired by our service engineers, totally free of charge.

Redring reserve the right to alter product specification or appearance without prior notice. All finishes in the brochure are as accurate as printing processes allow.

October 2010 Applied Energy Products. All rights reserved.